

1

2

3

4

A

A

Schematic History Version

Board Name: HUB R01 - 01SHB4GW485MPBA

Status	Data	Designed by	Checked by	Descriptions

B

B

C

C

D

D

U_Sheet_Top
Sheet_Top.SchDoc



U_Sheet_Mech_Symbols
Sheet_Mech_Symbols.SchDoc



Title: HUB			Status VER00
Page Title: Sheet_History.SchDoc		Revision R01	
Size: A4	Document Code: PCB000107	Sheet 1 of 19	
Date: 01/09/25	Variant: Standard		
Designed by:	Verified by:		

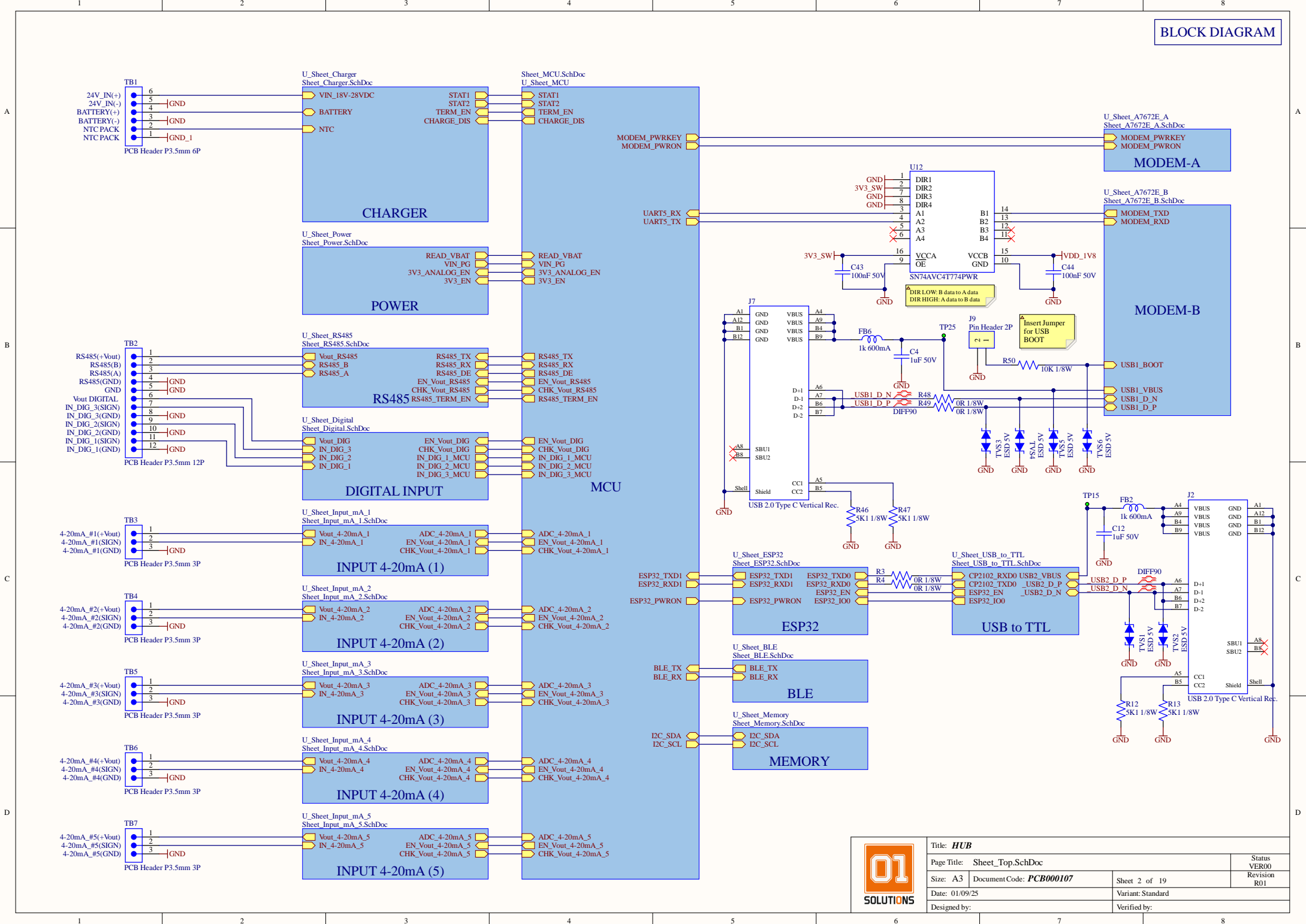
1

2

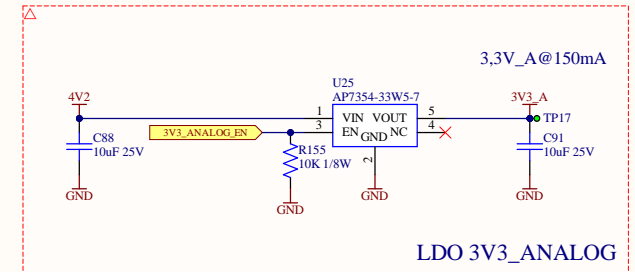
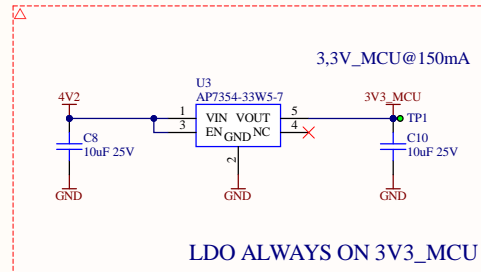
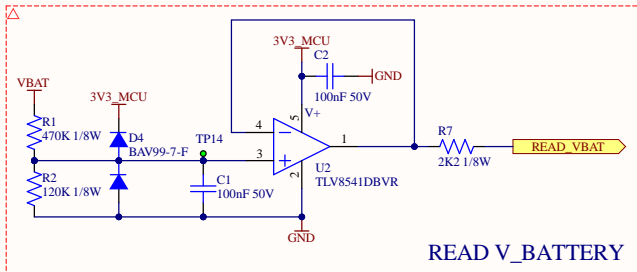
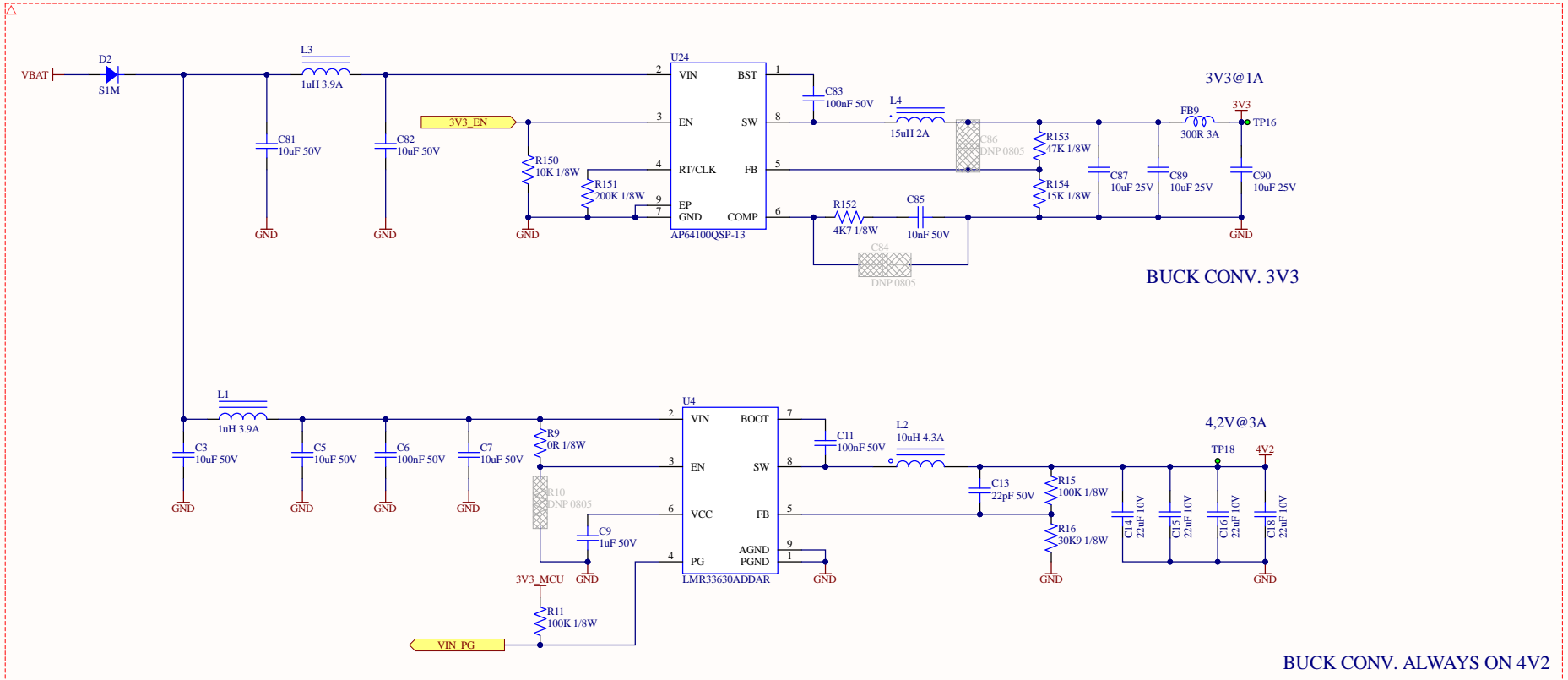
3

4

BLOCK DIAGRAM



Title: HUB		Status: VER00
Page Title: Sheet_Top.SchDoc		Revision: R01
Size: A3	Document Code: PCB000107	Sheet 2 of 19
Date: 01/09/25	Variant: Standard	
Designed by:	Verified by:	



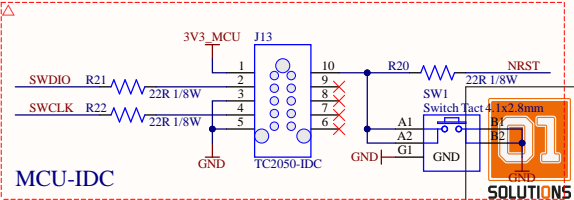
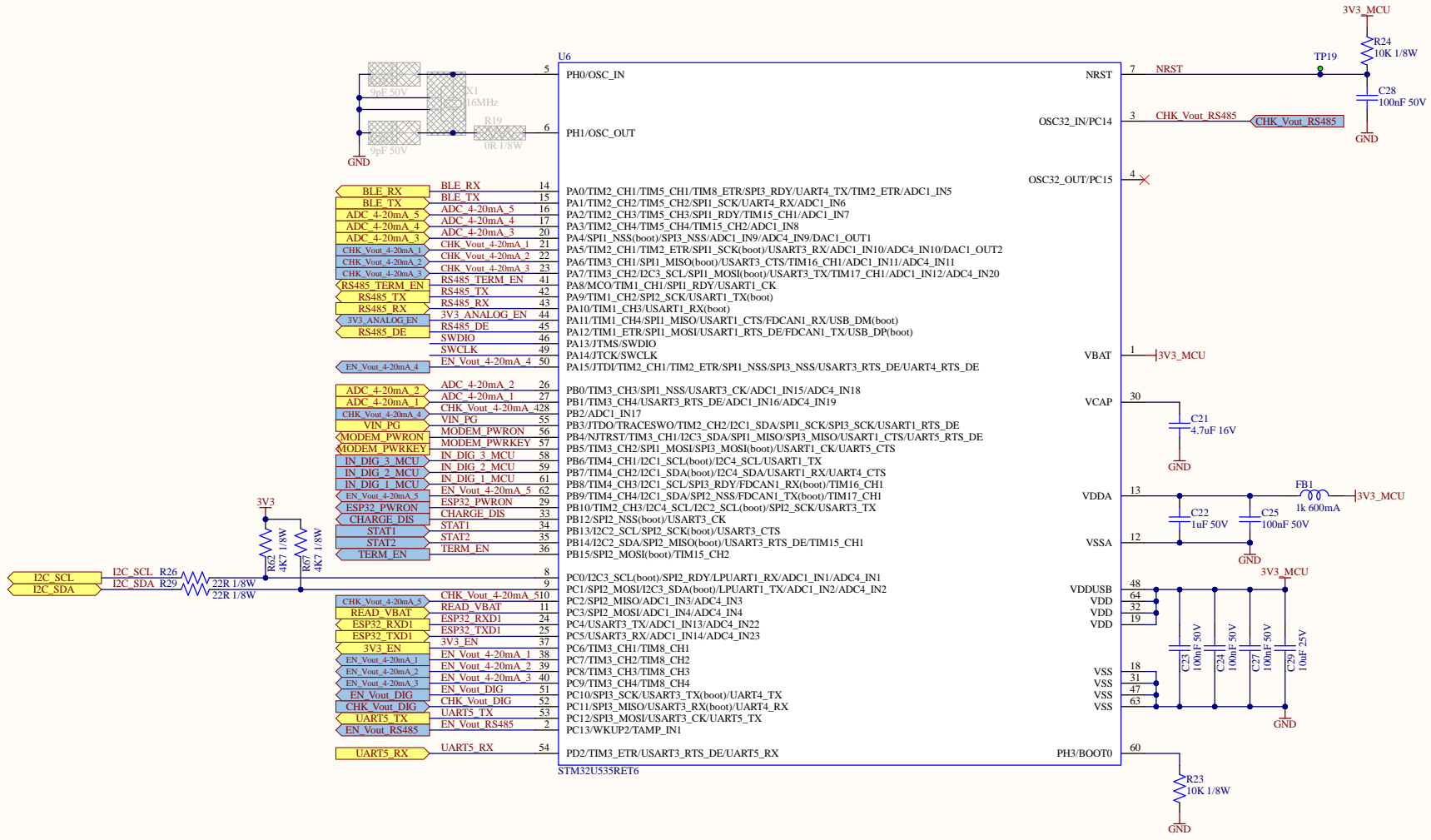
Title: HUB		Status: VER00
Page Title: Sheet_Power.SchDoc		Revision: R01
Size: A3	Document Code: PCB000107	Sheet 4 of 19
Date: 01/09/25	Variant: Standard	Designed by:
Designed by:		Verified by:

A

B

C

D



Title: HUB		Status: VER00
Page Title: Sheet_MCU.SchDoc		Revision: R01
Size: A3	DocumentCode: PCB000107	Sheet 5 of 19
Date: 01/09/25	Variant: Standard	Verified by:
Designed by:		

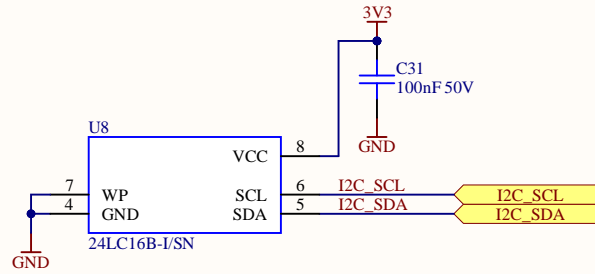
A

B

C

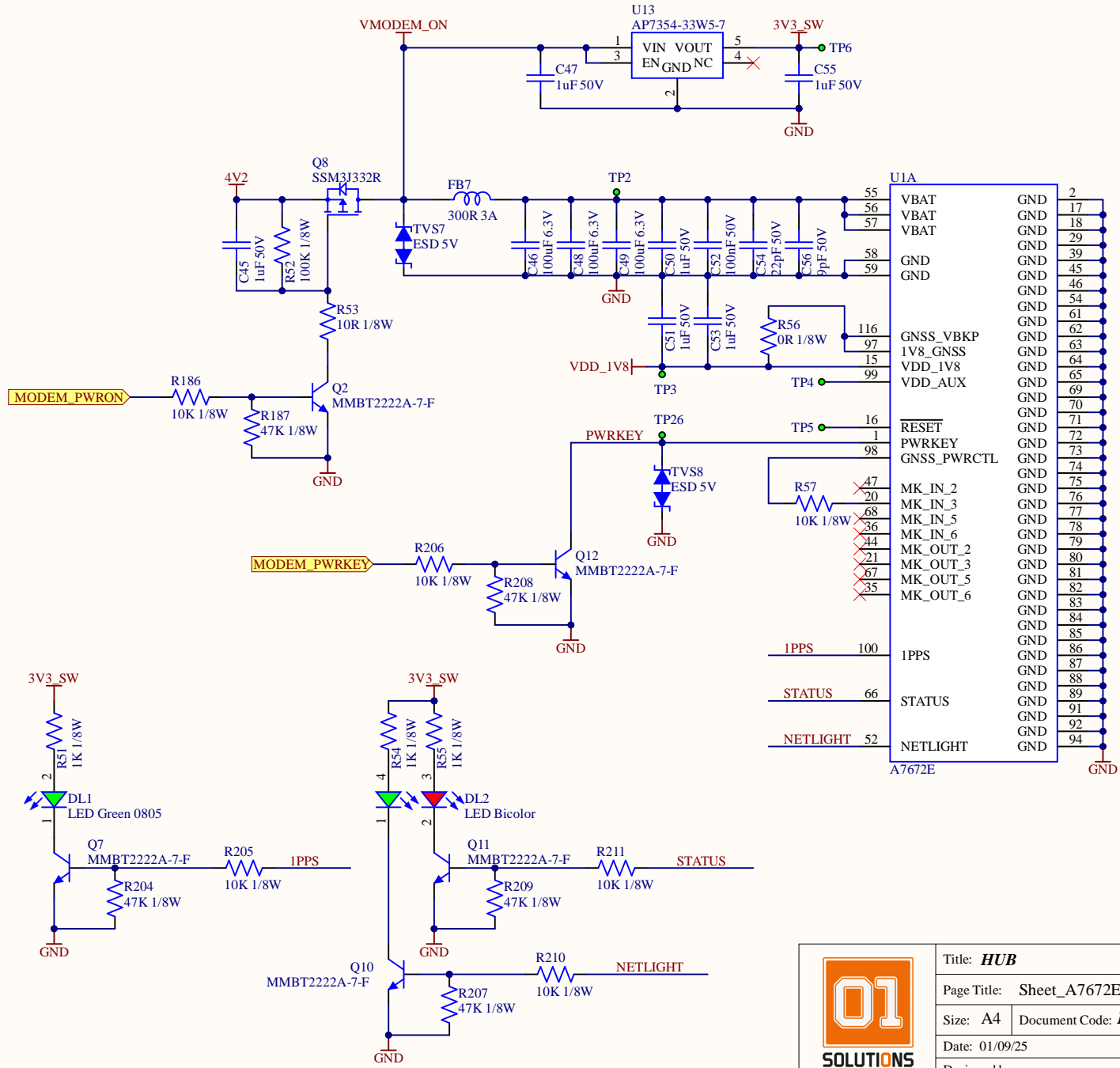
D

MEMORY



Title: HUB		Status: VER00	
Page Title: Sheet_Memory.SchDoc		Revision: R01	
Size: A4	Document Code: PCB000107	Sheet 6 of 19	
Date: 01/09/25		Variant: Standard	
Designed by:		Verified by:	

MODEM-A

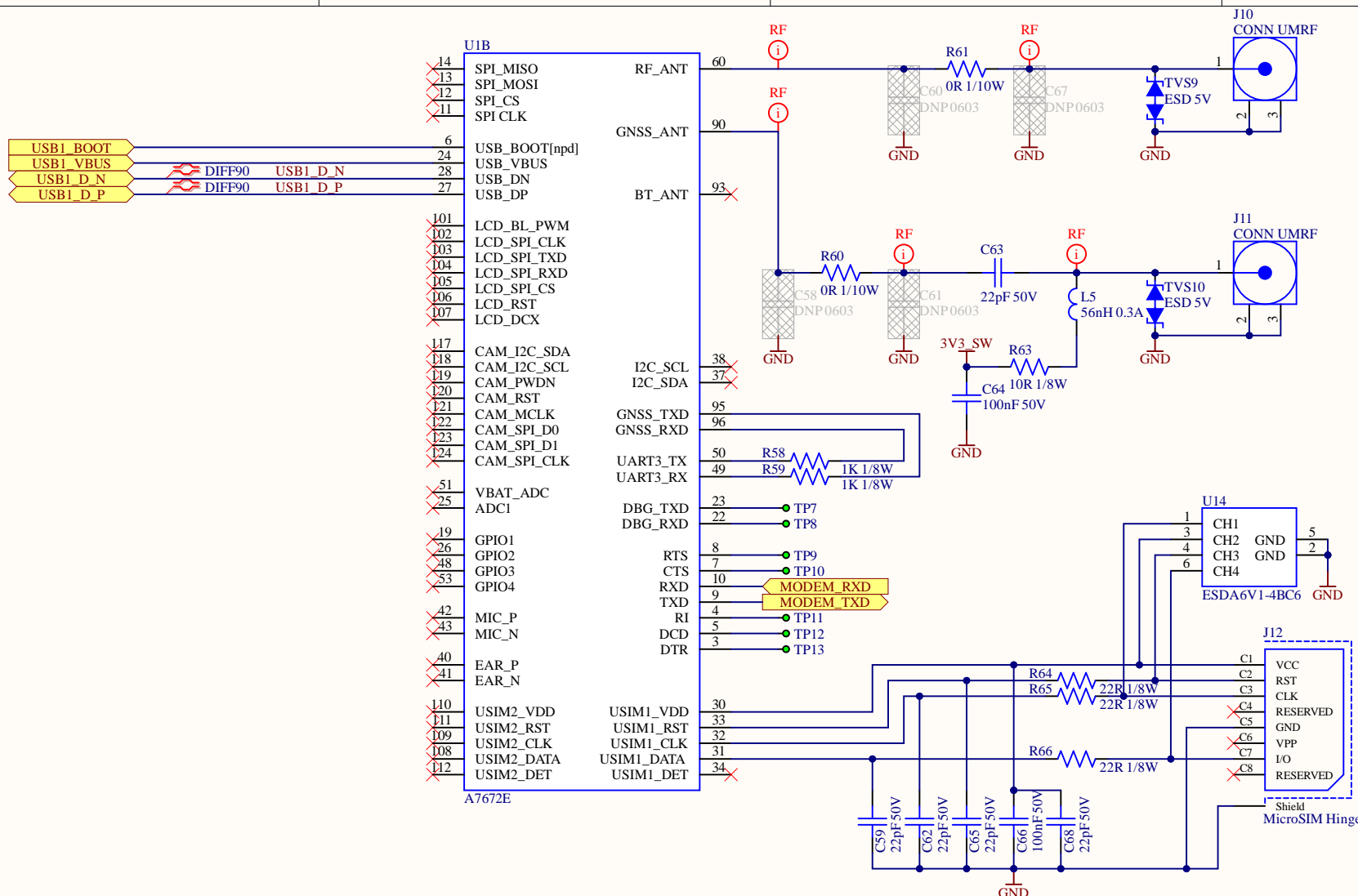



Pin	Signal	Pin	Signal
55	VBAT	2	GND
56	VBAT	17	GND
57	VBAT	18	GND
58	GND	29	GND
59	GND	39	GND
		45	GND
		46	GND
		54	GND
		61	GND
		62	GND
		63	GND
116	GNSS_VBKP	64	VDD_IV8
97	IV8_GNSS	65	VDD_AUX
15	VDD_IV8	69	GND
99	VDD_AUX	70	GND
		71	GND
		72	GND
16	RESET	73	GND
1	PWRKEY	74	GND
98	GNSS_PWRCTL	75	GND
		76	GND
		77	GND
		78	GND
		79	GND
		80	GND
		81	GND
		81	GND
		82	GND
		83	GND
		84	GND
		85	GND
100	1PPS	86	GND
		87	GND
		88	GND
		89	GND
		91	GND
		92	GND
		94	GND
			GND

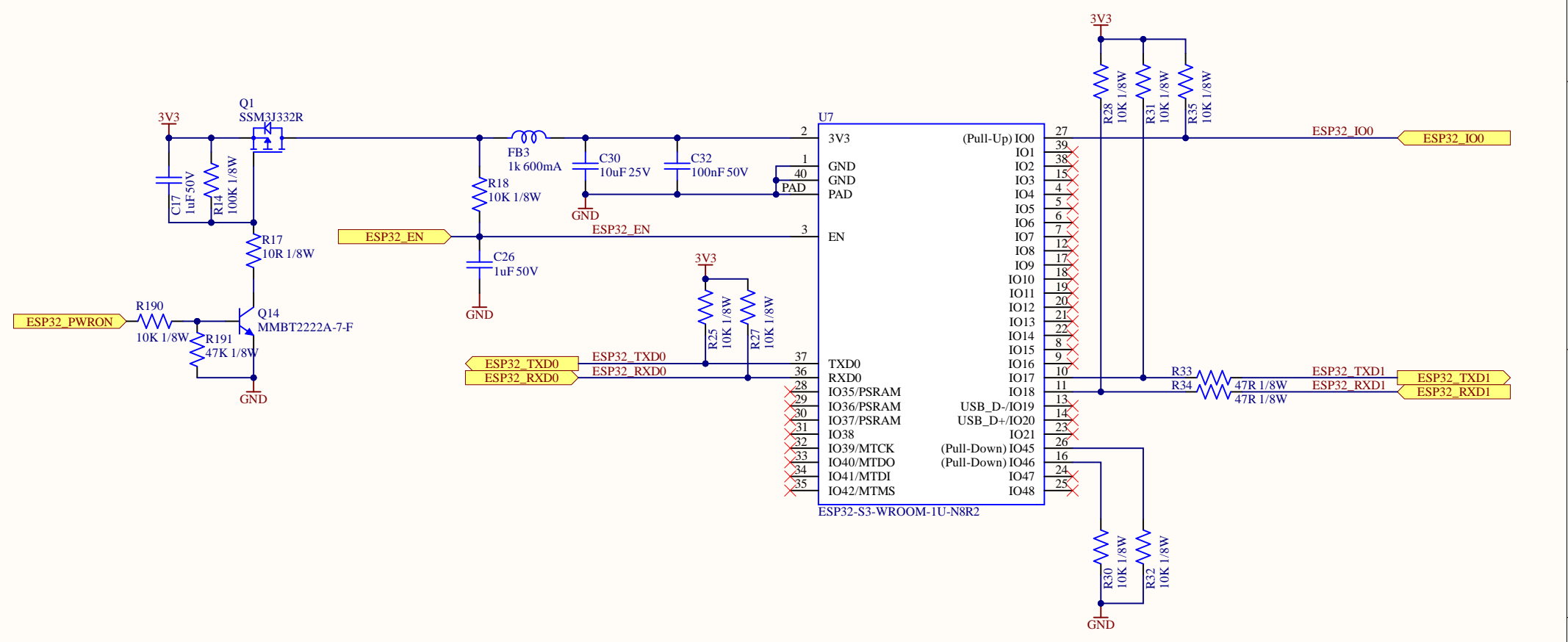


Title: HUB		Status: VER00
Page Title: Sheet_A7672E_A.SchDoc		Revision: R01
Size: A4	Document Code: PCB000107	Sheet 7 of 19
Date: 01/09/25	Variant: Standard	
Designed by:	Verified by:	

MODEM-B



	Title: HUB		Status: VER00
	Page Title: Sheet_A7672E_B.SchDoc		Revision: R01
	Size: A4	Document Code: PCB000107	Sheet 8 of 19
	Date: 01/09/25		Variant: Standard
	Designed by:		Verified by:



Title: HUB		Status
Page Title: Sheet_ESP32.SchDoc		VER00
Size: A4	Document Code: PCB000107	Revision
Date: 01/09/25	Variant: Standard	R01
Designed by:	Verified by:	

1

2

3

4

A

A

B

B

C

C

D

D

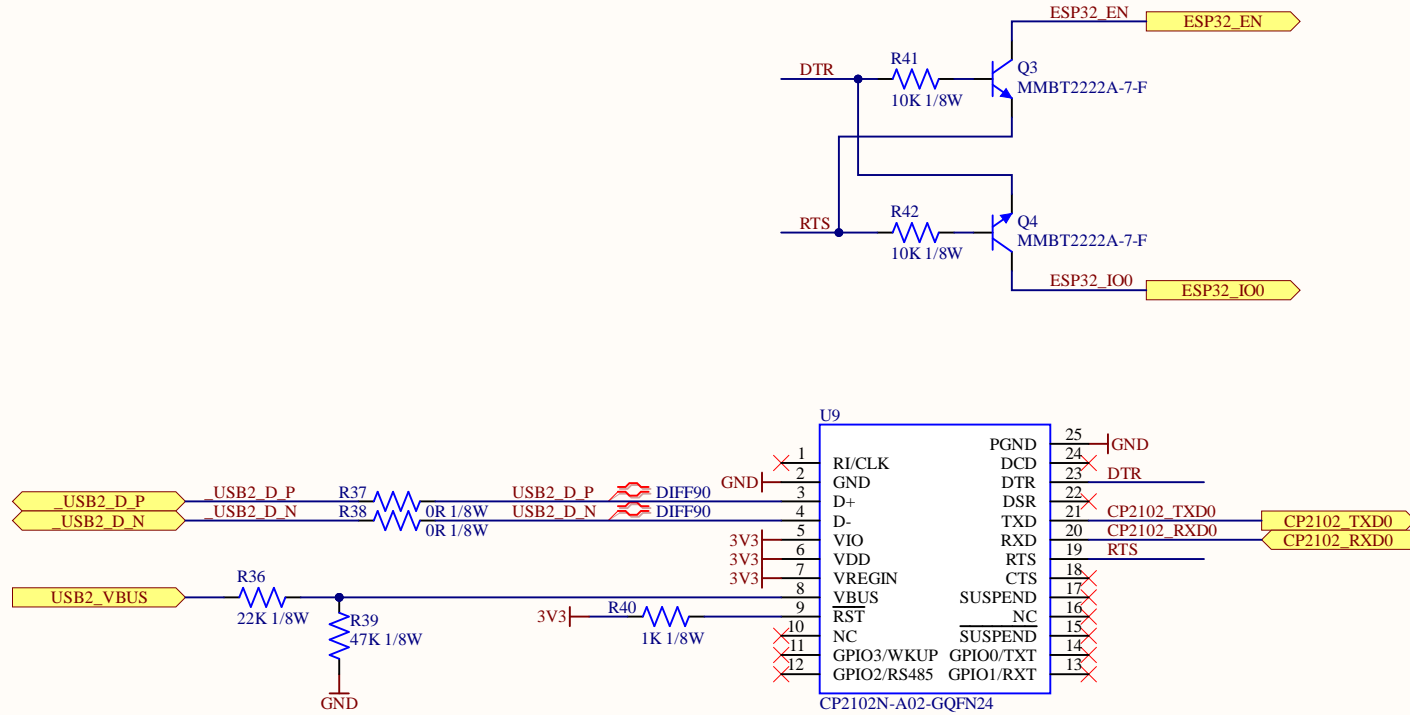
1

2

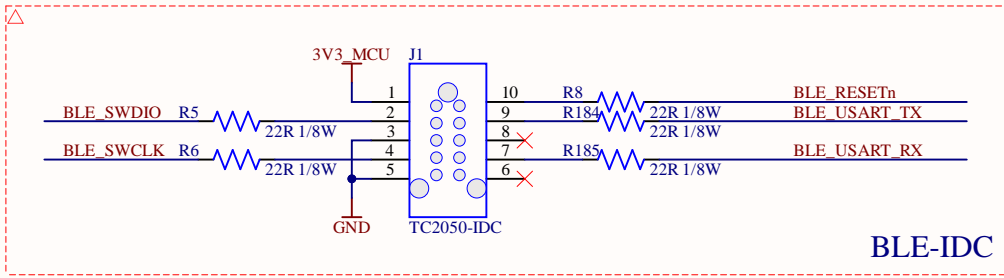
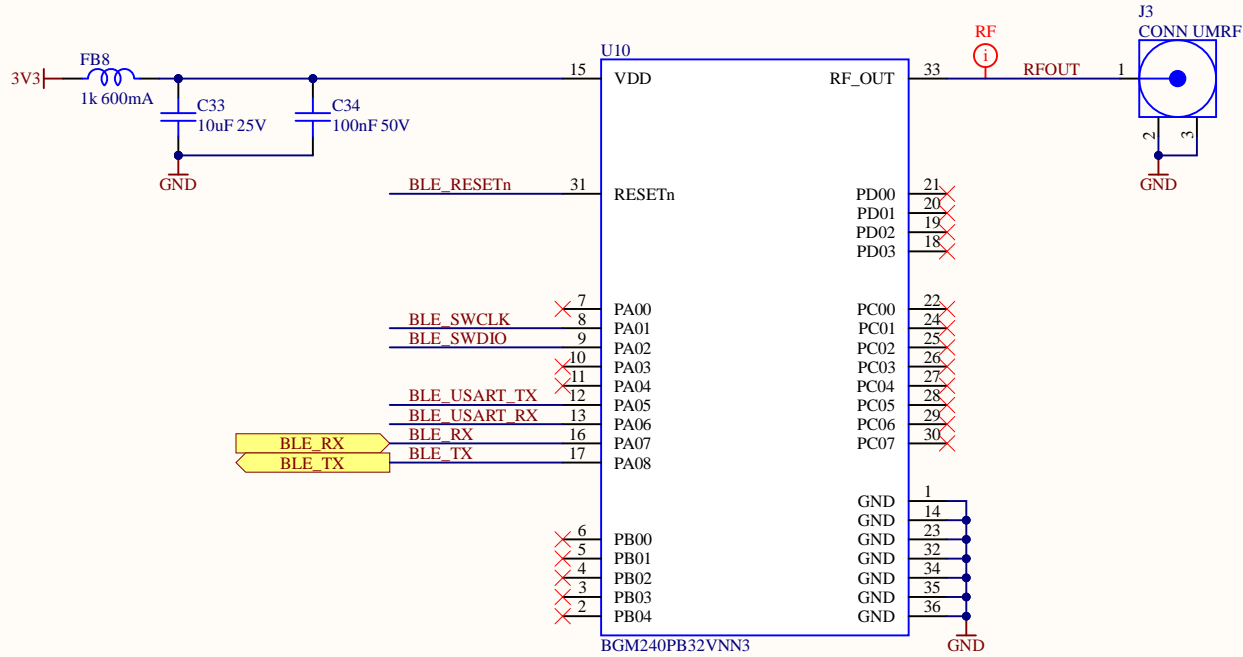
3

4

USB to TTL

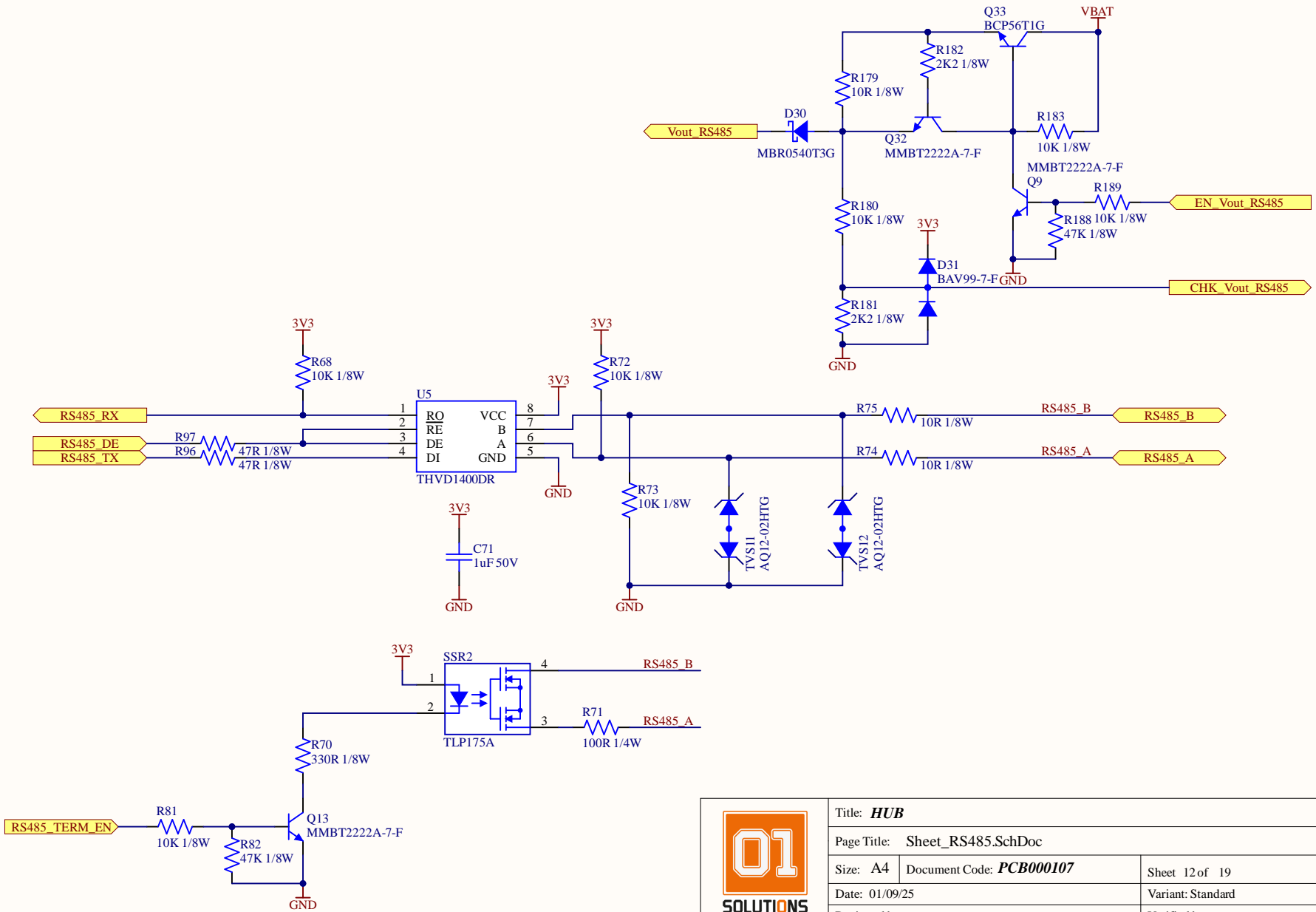


Title: HUB			Status VER00
Page Title: Sheet_USB_to_TTL.SchDoc		Revision R01	
Size: A4	Document Code: PCB000107	Sheet 10 of 19	
Date: 01/09/25	Variant: Standard		
Designed by:	Verified by:		



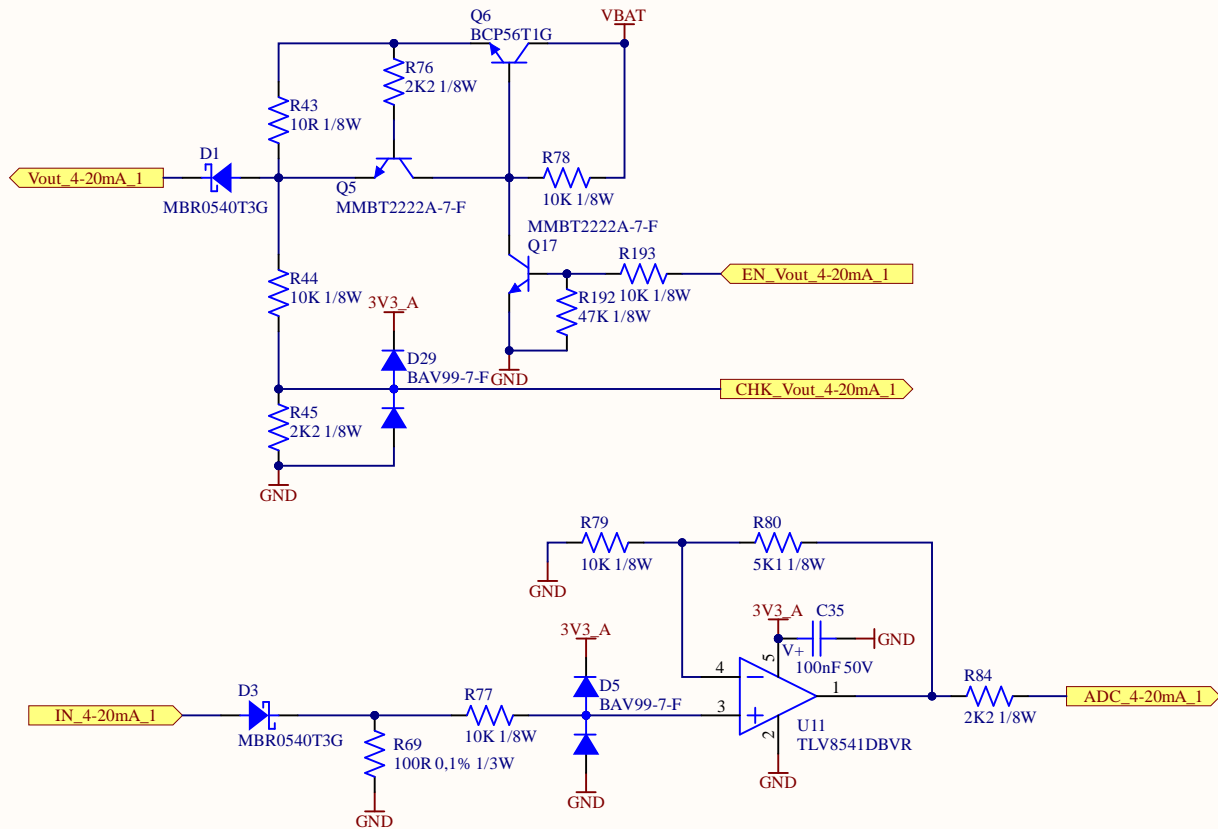
Title: HUB		Status: VER00	
Page Title: Sheet_BLE.SchDoc	Document Code: PCB000107		Revision: R01
Size: A4	Date: 01/09/25	Sheet 11 of 19	Variant: Standard
Designed by:		Verified by:	

RS485



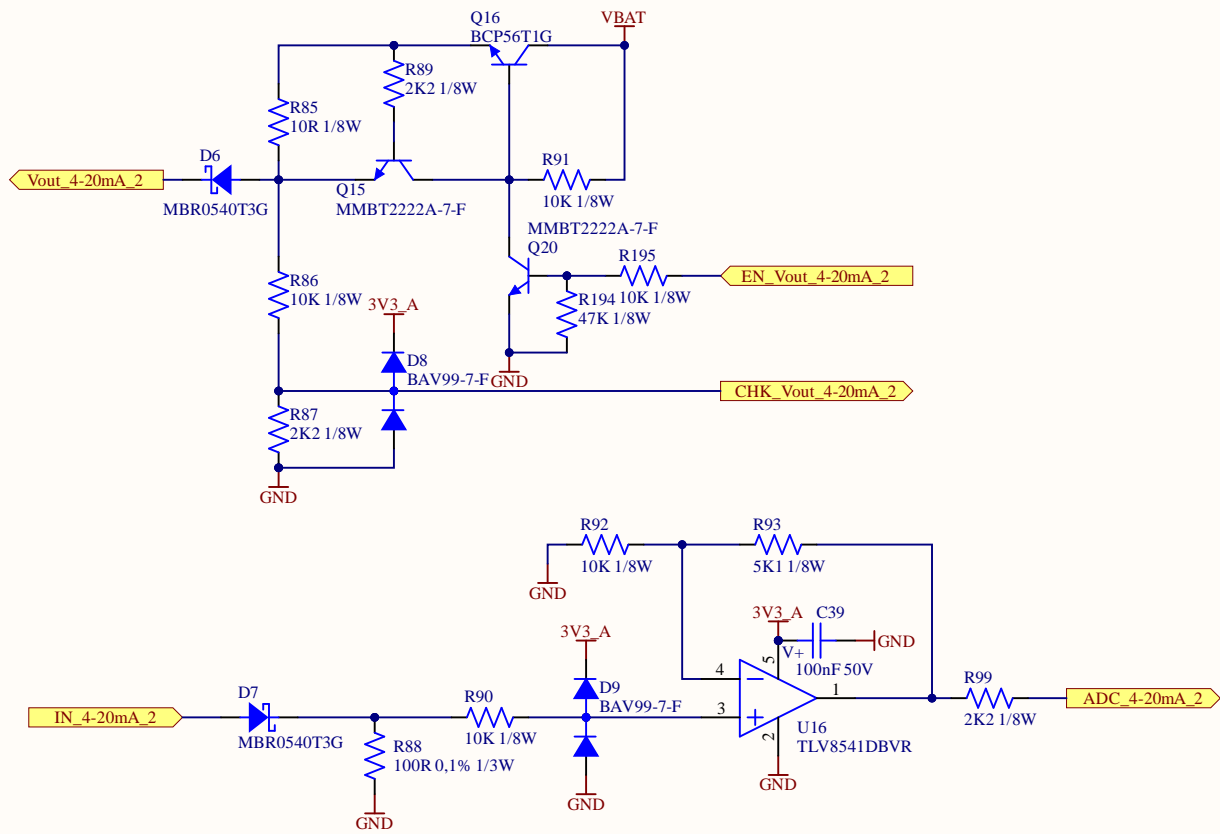
Title: HUB			Status: VER00
Page Title: Sheet_RS485.SchDoc			Revision: R01
Size: A4	Document Code: PCB000107	Sheet 12 of 19	
Date: 01/09/25	Variant: Standard		
Designed by:	Verified by:		

Input 4-20mA (1)



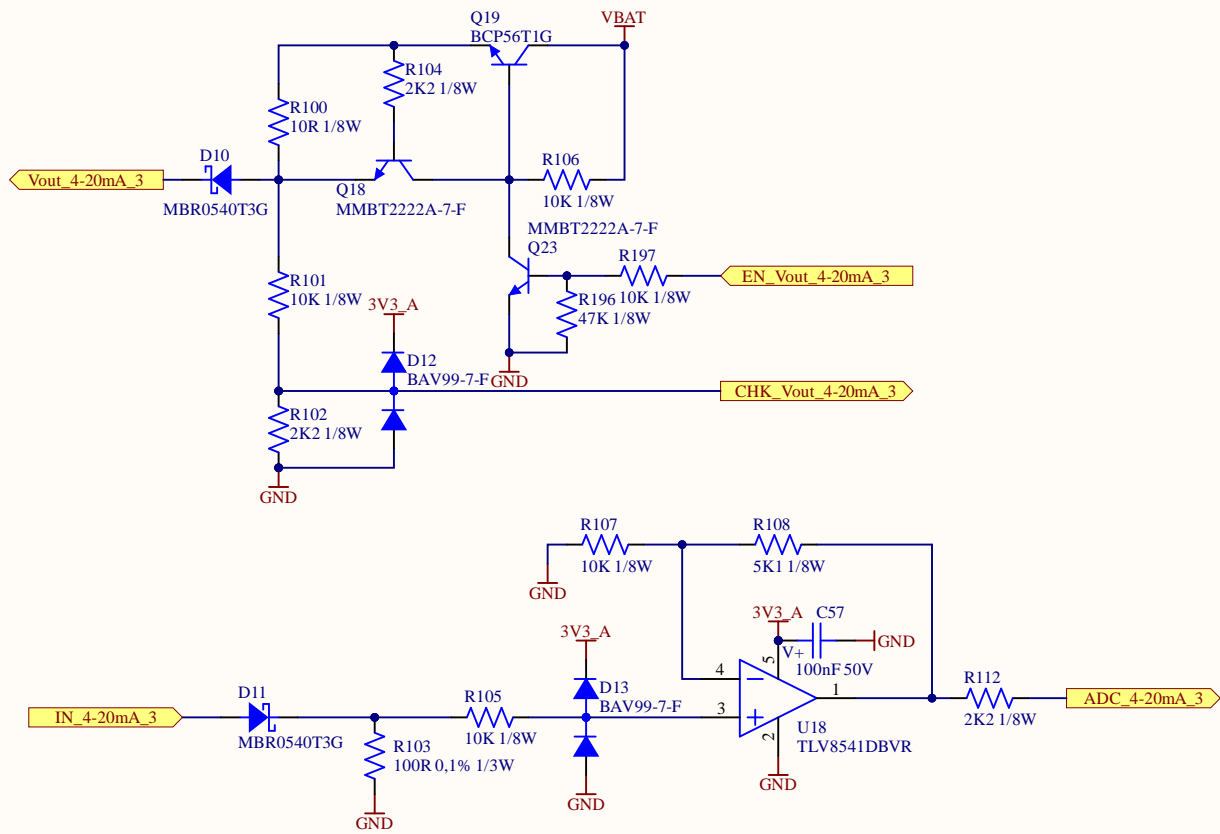
Title: HUB		Status: VER00	
Page Title: Sheet_Input_mA_1.SchDoc		Revision: R01	
Size: A4	Document Code: PCB000107	Sheet 13 of 19	
Date: 01/09/25		Variant: Standard	
Designed by:		Verified by:	

Input 4-20mA (2)



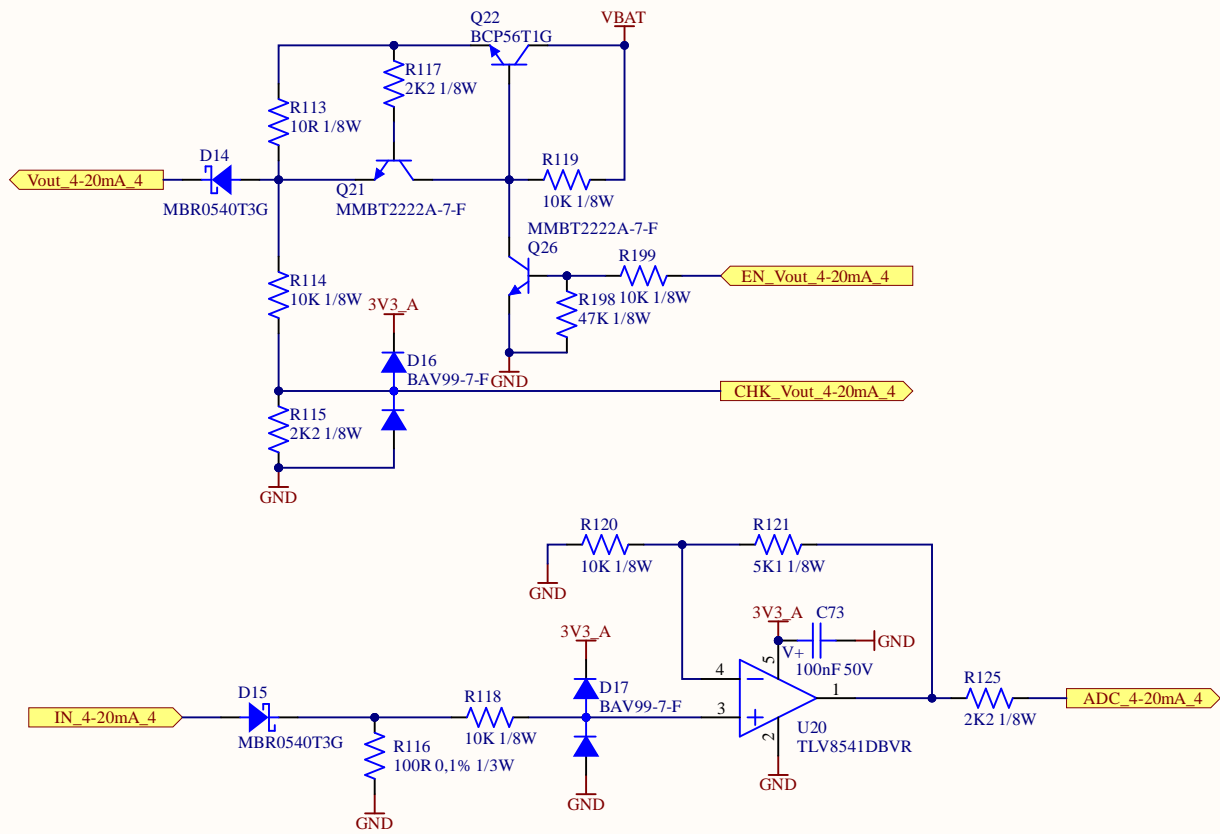
Title: HUB		Status: VER00	
Page Title: Sheet_Input_mA_2.SchDoc		Revision: R01	
Size: A4	Document Code: PCB000107	Sheet 14 of 19	
Date: 01/09/25		Variant: Standard	
Designed by:		Verified by:	

Input 4-20mA (3)



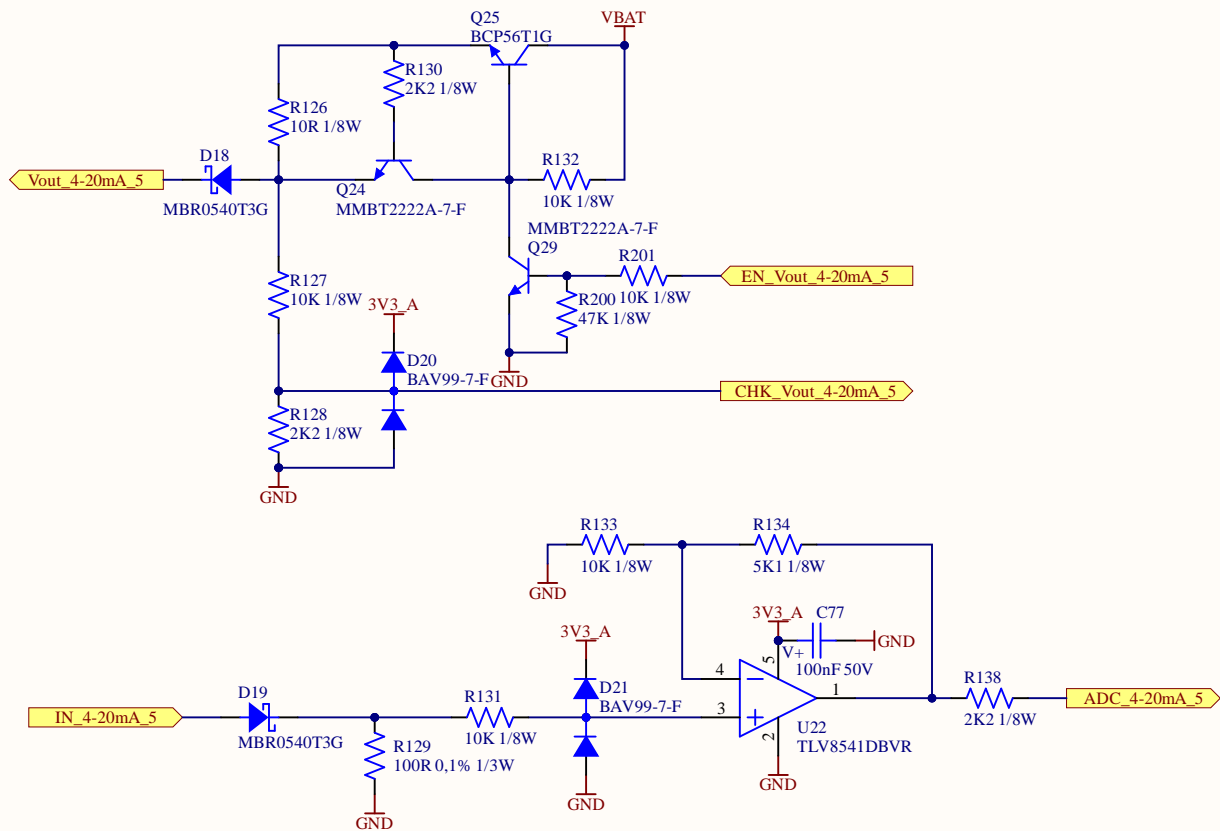
Title: HUB			Status: VER00
Page Title: Sheet_Input_mA_3.SchDoc		Revision: R01	
Size: A4	Document Code: PCB000107	Sheet 15 of 19	
Date: 01/09/25		Variant: Standard	
Designed by:		Verified by:	

Input 4-20mA (4)



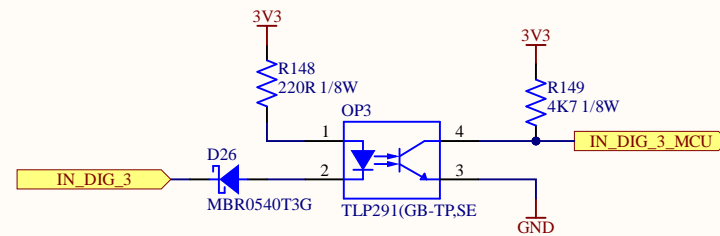
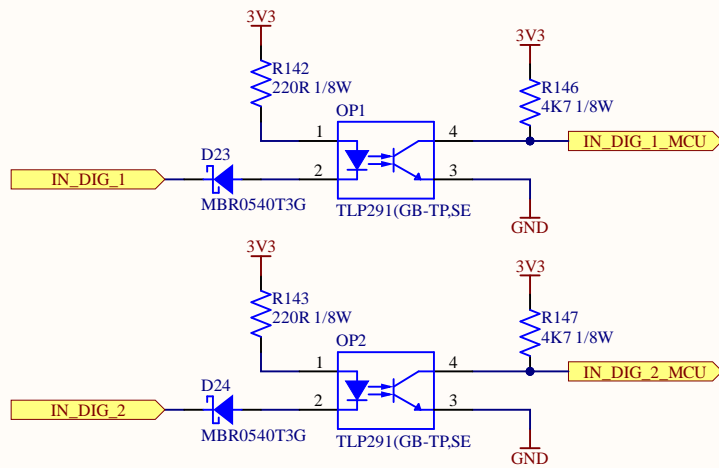
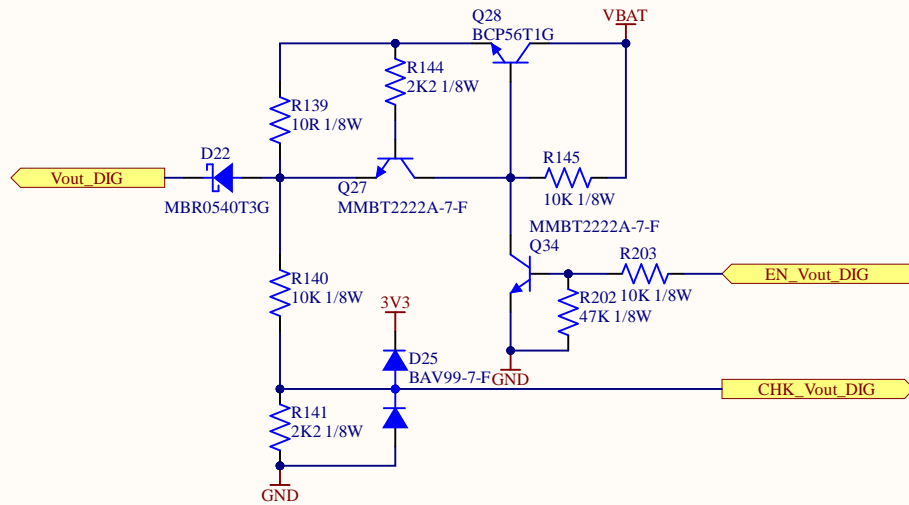
Title: HUB		Status: VER00	
Page Title: Sheet_Input_mA_4.SchDoc		Revision: R01	
Size: A4	Document Code: PCB000107	Sheet 16 of 19	
Date: 01/09/25		Variant: Standard	
Designed by:		Verified by:	

Input 4-20mA (5)



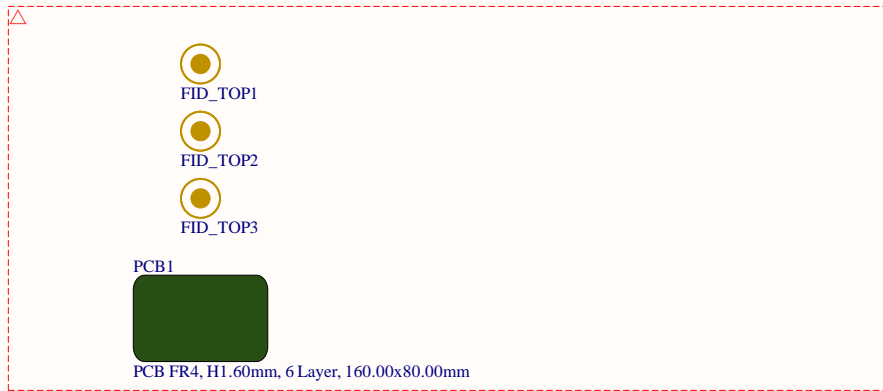
Title: HUB		Status: VER00	
Page Title: Sheet_Input_mA_5.SchDoc		Revision: R01	
Size: A4	Document Code: PCB000107	Sheet 17 of 19	
Date: 01/09/25		Variant: Standard	
Designed by:		Verified by:	

DIGITAL INPUT



Title: HUB		Status: VER00	
Page Title: Sheet_Digital.SchDoc		Revision: R01	
Size: A4	Document Code: PCB000107	Sheet 18 of 19	
Date: 01/09/25		Variant: Standard	
Designed by:		Verified by:	

MECH & SYMBOLS



Title: HUB		Status VER00
Page Title: Sheet_Mech_Symbols.SchDoc		Revision R01
Size: A4	Document Code: PCB000107	Sheet 19 of 19
Date: 01/09/25	Variant: Standard	
Designed by:	Verified by:	