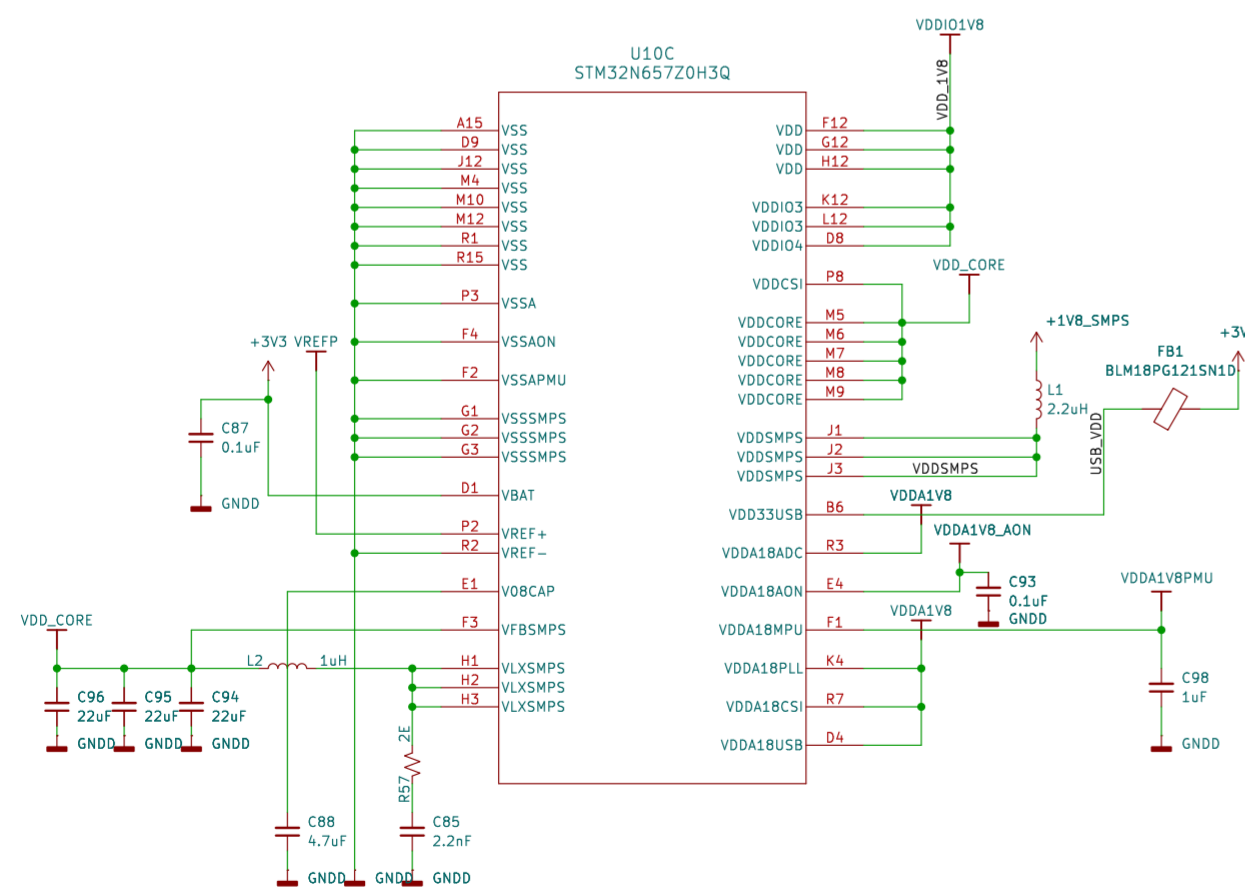
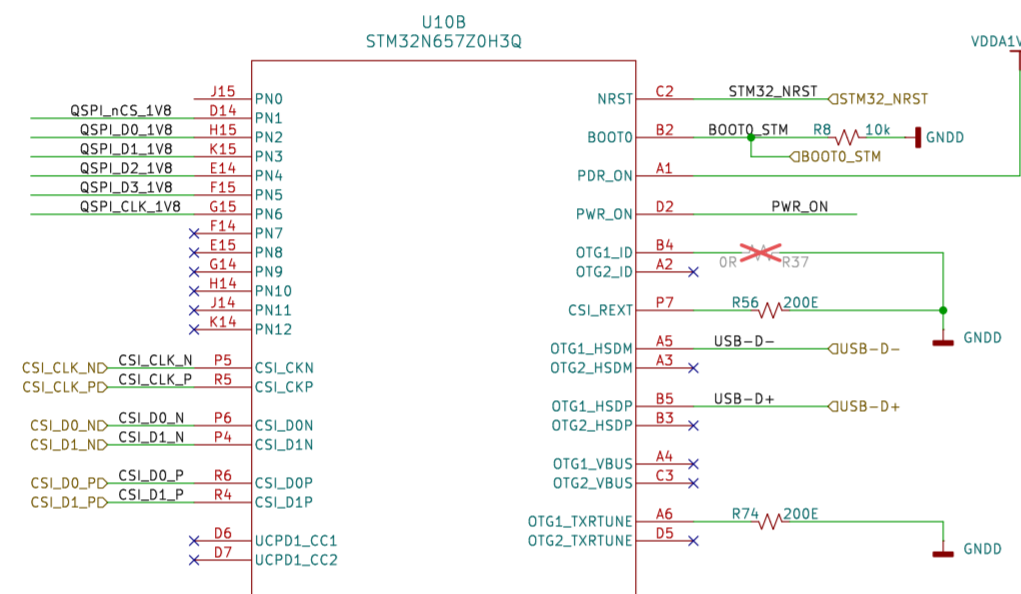
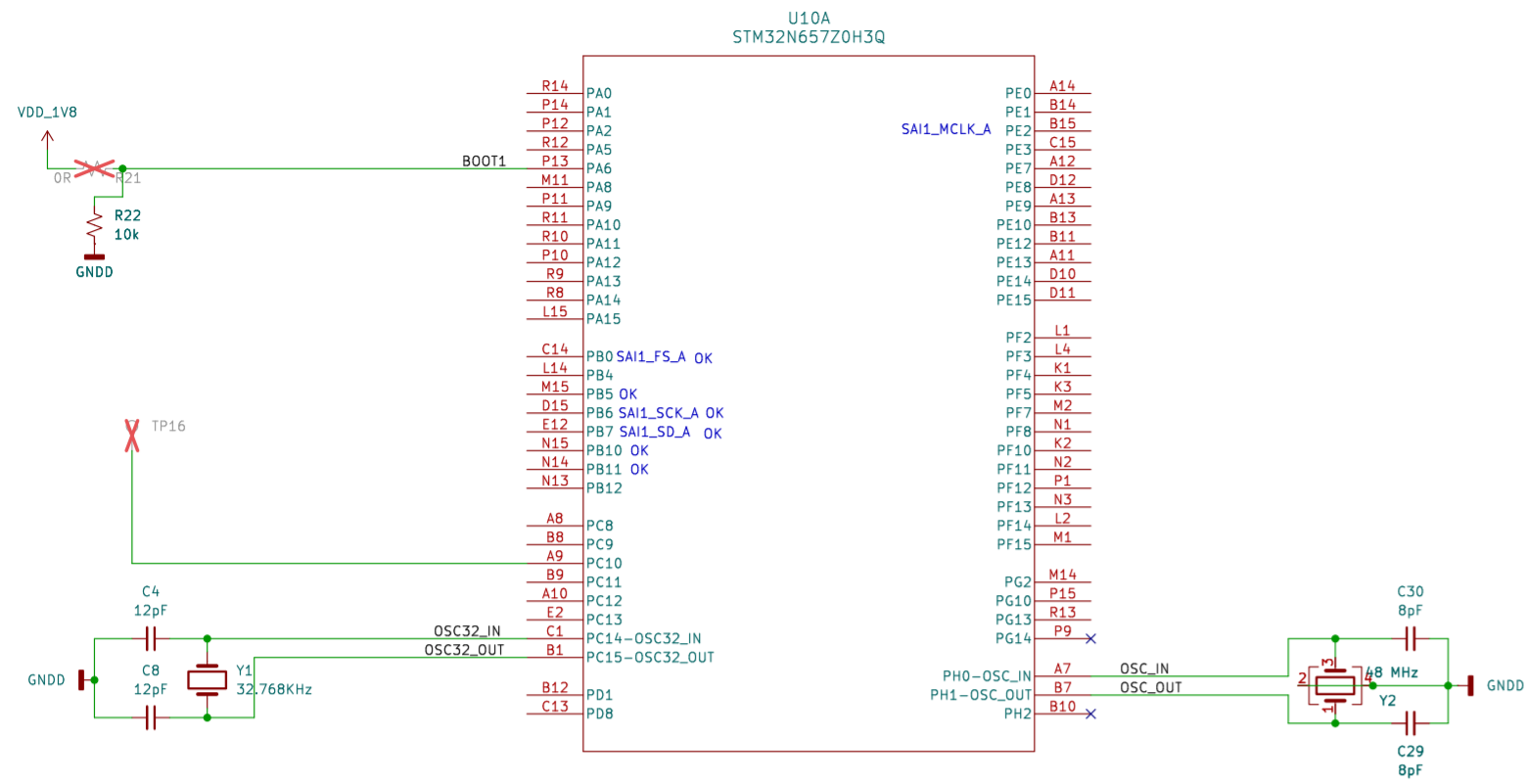
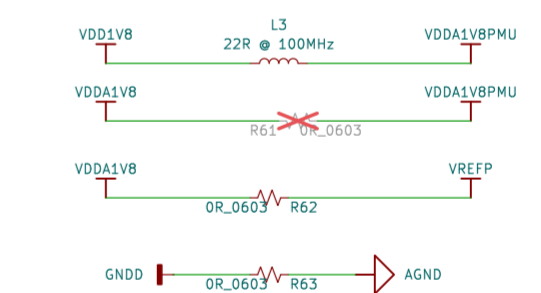
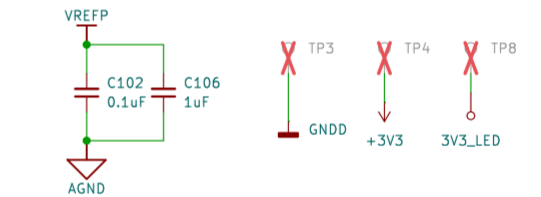
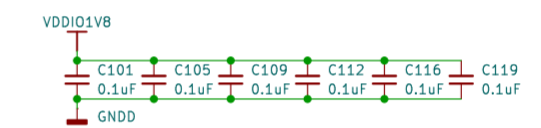
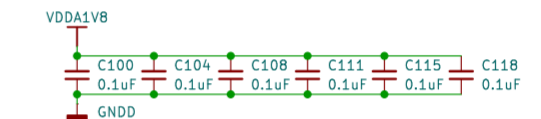
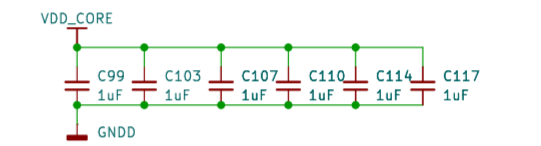
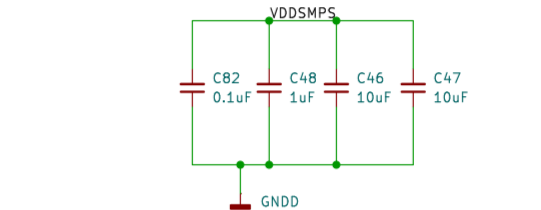
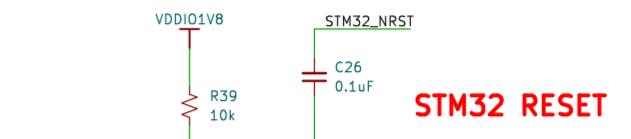
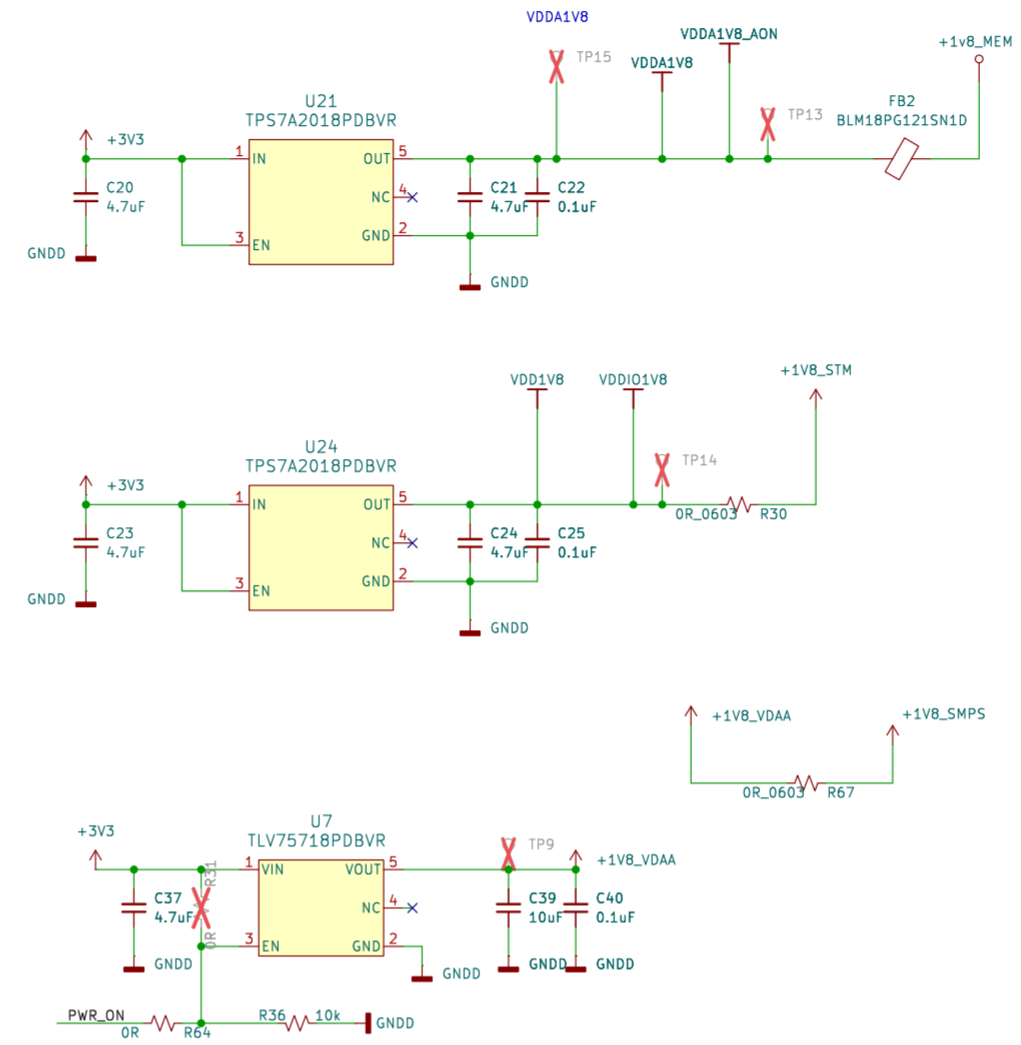


STM32N657Z0H3Q Circuit



STM32 POWER SUPPLY



256Mb FLASH MEMORY

