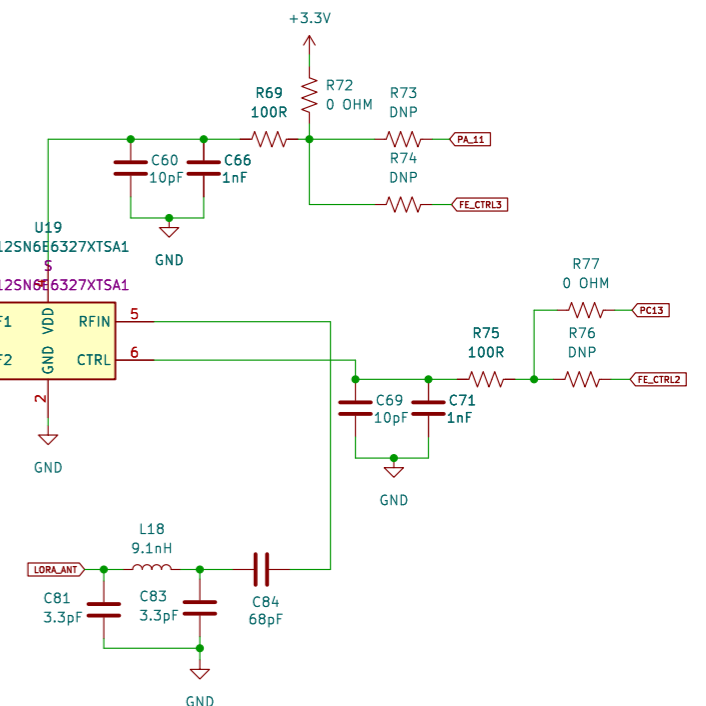
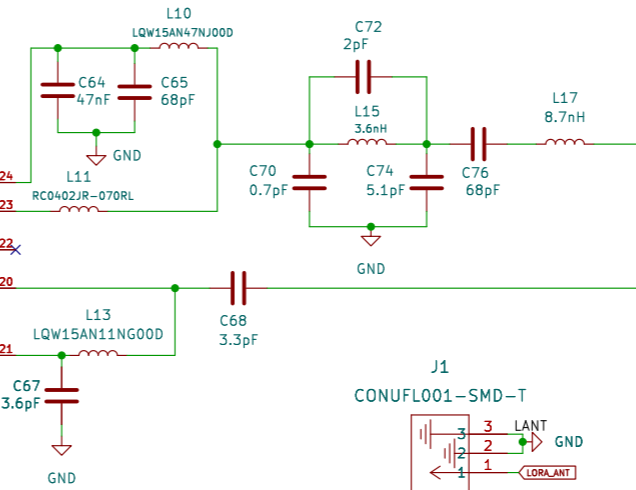
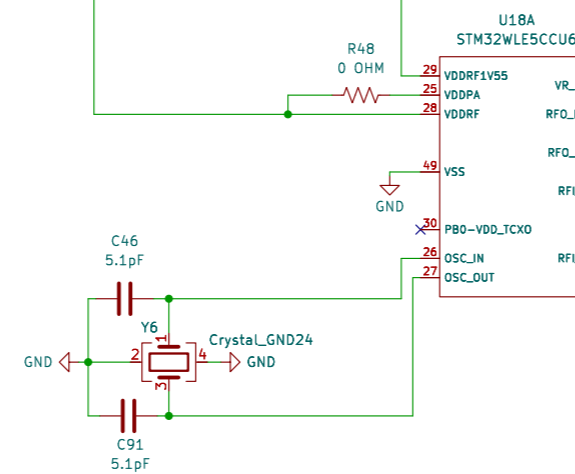
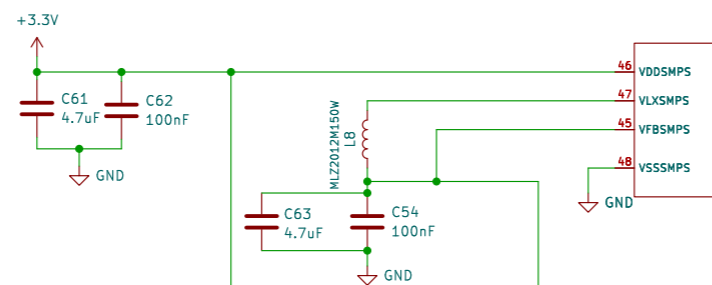
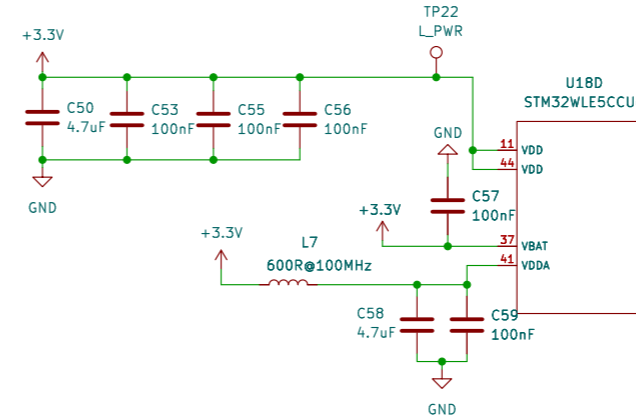
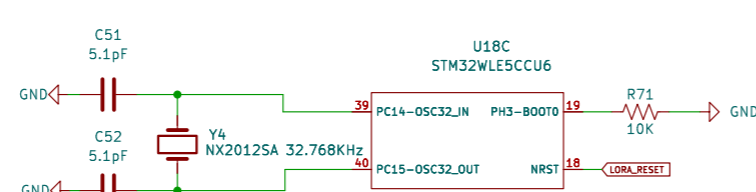
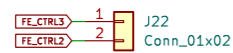
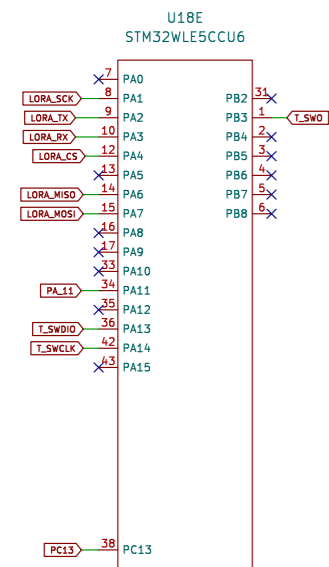
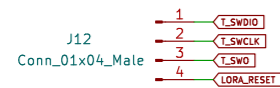


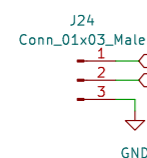
LORA



DEBUGGER



UART_FLASH



- TP23 LORA_MOSI
- TP24 LORA_MISO
- TP25 LORA_SCK
- TP26 LORA_CS

INTHINGS TECHNOLOGIES PVT LTD

Sheet: /LORA/
File: LORA.kicad_sch

Title: PCB3 V1

Size: A3 Date: 14-03-2025

Rev: Id: 5/11