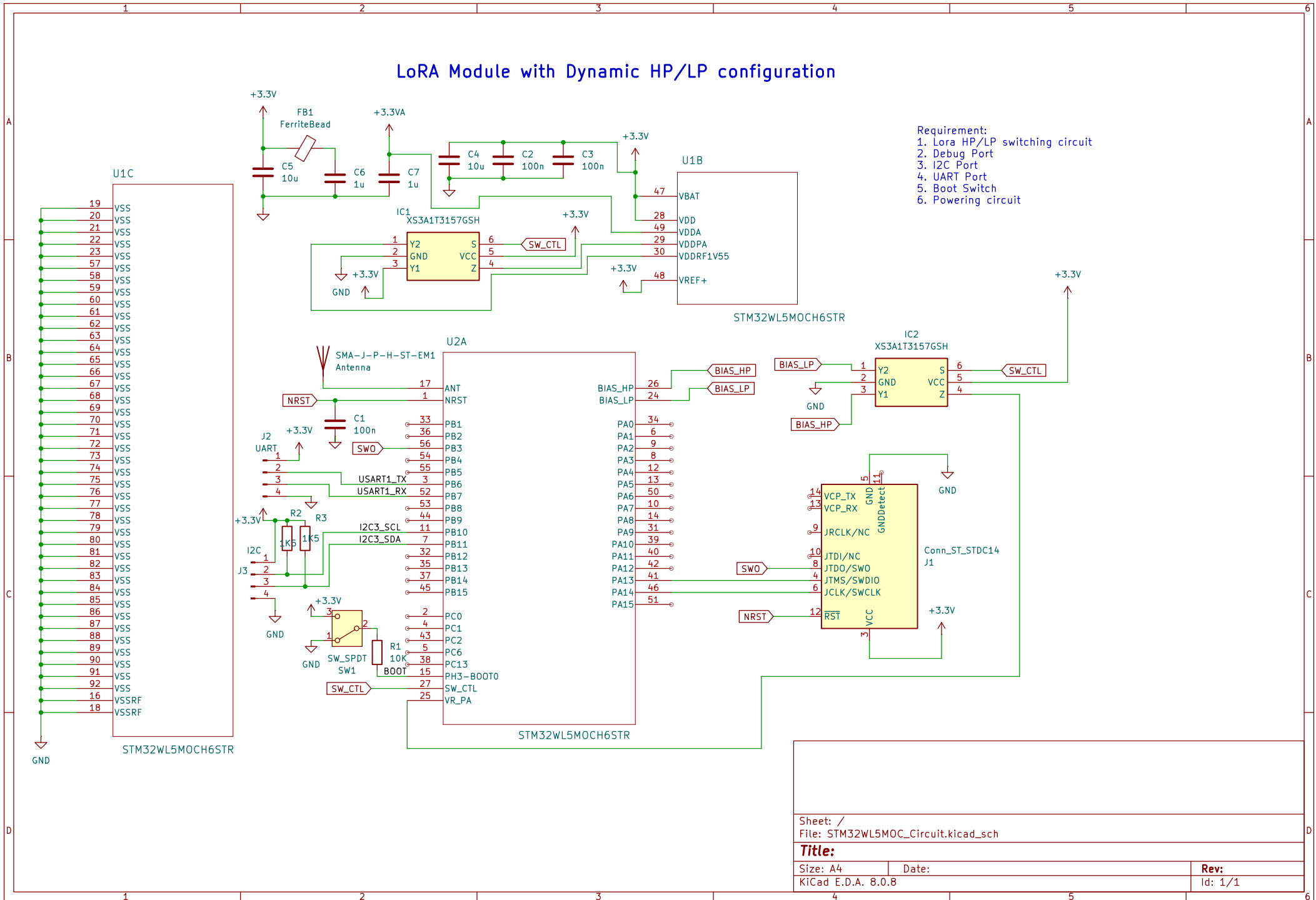


# LoRA Module with Dynamic HP/LP configuration



Sheet: /	
File: STM32WL5MOC_Circuit.kicad_sch	
<b>Title:</b>	
Size: A4	Date:
KiCad E.D.A. 8.0.8	Rev: 1/1