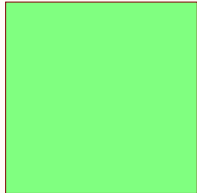
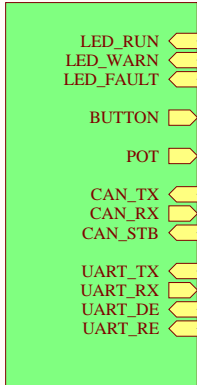


Designator
PWR.SchDoc



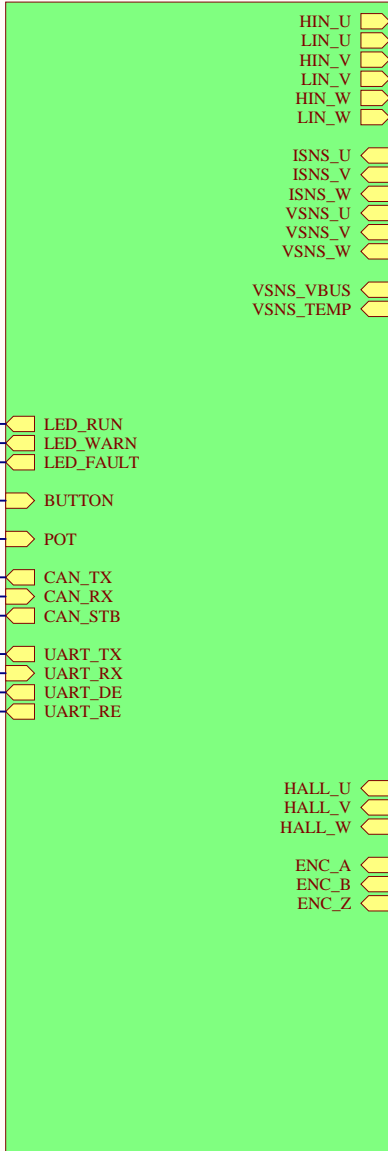
Main Device:
1. 12V=LMR54410DBVR
2. 5V=LMR51430XDDCR
3. 3.3V=AMS-1117-3.3

Designator
USR.SchDoc



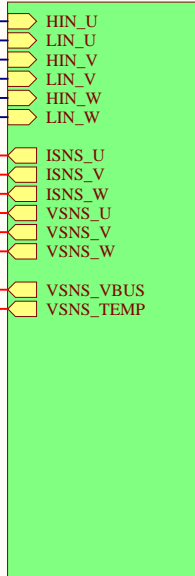
Main Device:
1. LED RUN=19-217/GHC-YR1S2/6T
2. LED WARN=19-213/Y2C-CQ2R2L/3T
3. LED FAULT=19-217/R6C-AL1M2VY/6T
4. BUTTON=TS-1009B-04526
5. POT=3362P-1-103LF
6. CAN=TJA1042T/3/1J
7. UART=ADM3485EARZ

Designator
MCU.SchDoc



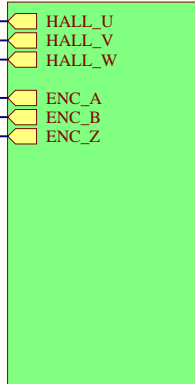
Main Device:
1. MCU=STM32G473VET6
2. OSC=X1G0059610001
3. OSC=SSP-T7-F

Designator
DRV.SchDoc

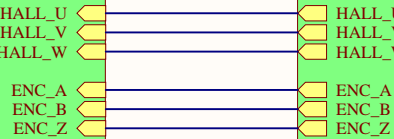
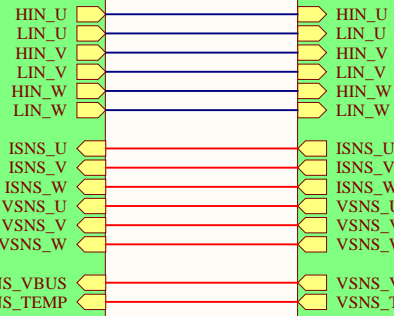


Main Device:
1. GATE=IR2101STRPBF
2. MOSFET=IRFR024NTRPBF
3. OPAMP=TSV991ILT
4. COMP=TS3021ILT

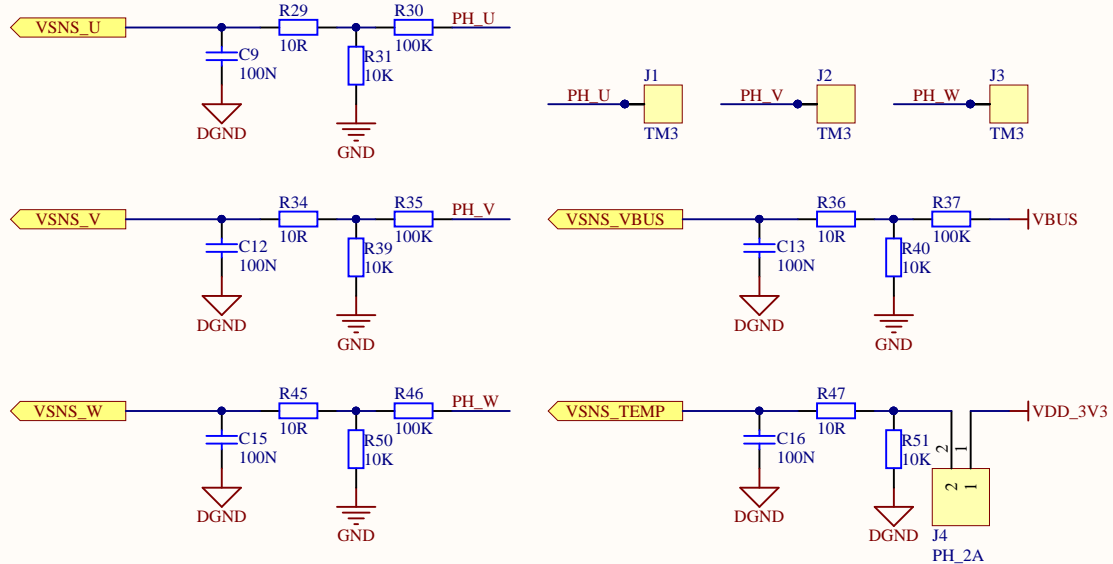
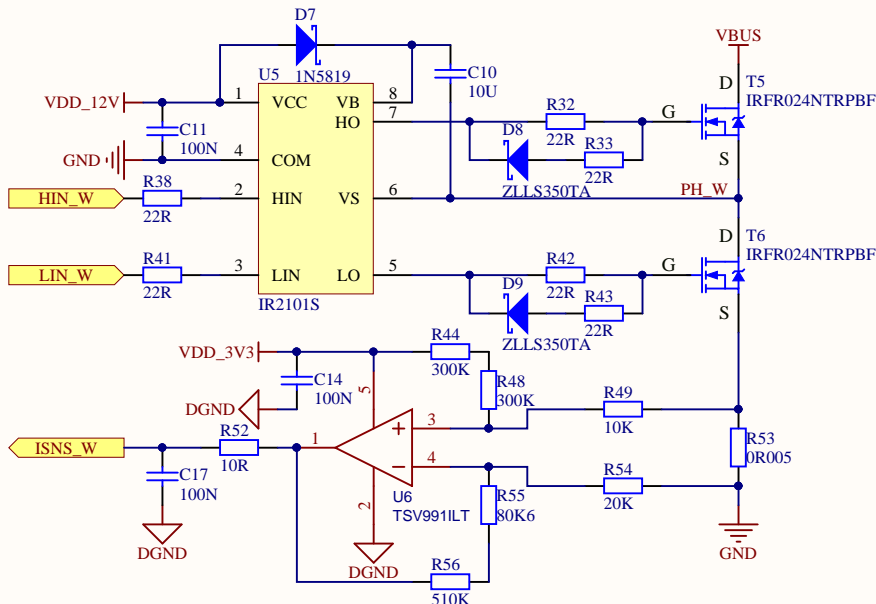
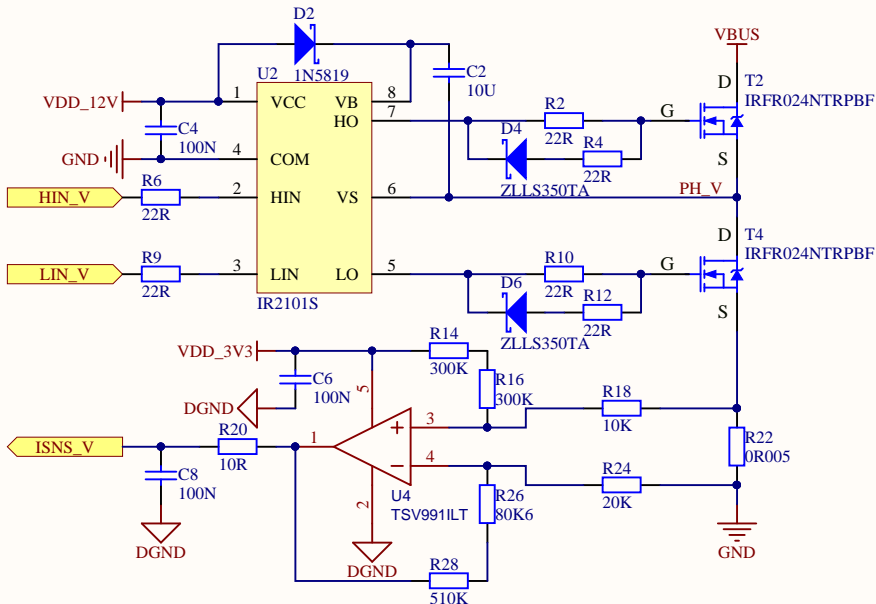
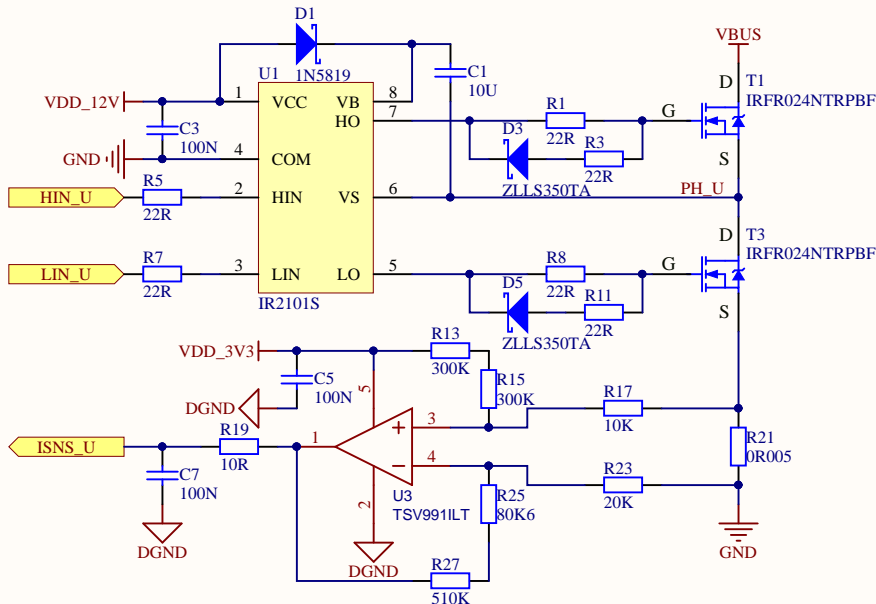
Designator
ENC.SchDoc



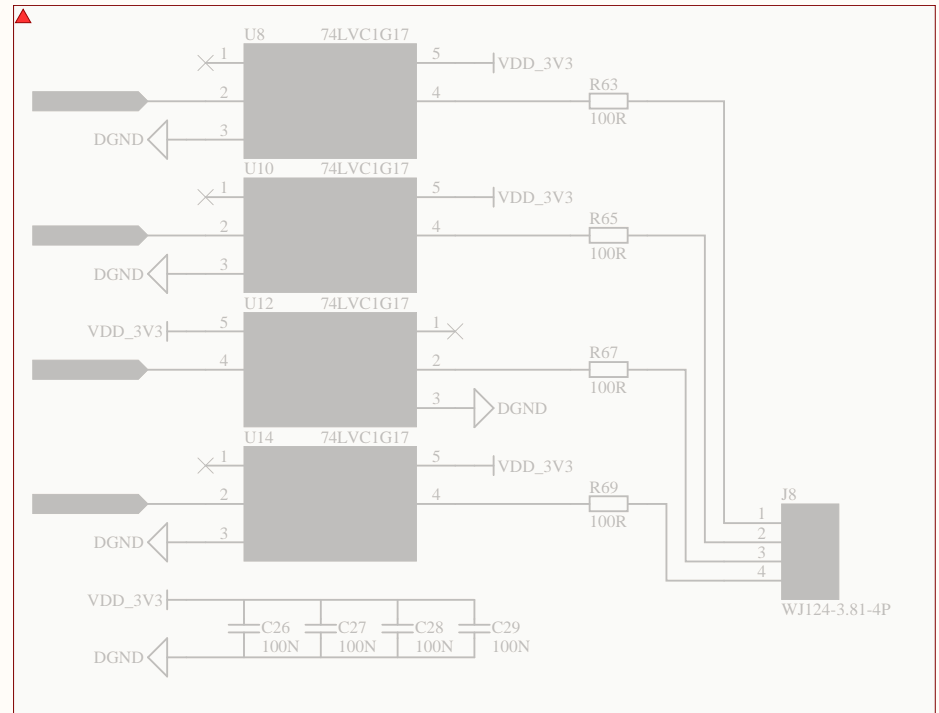
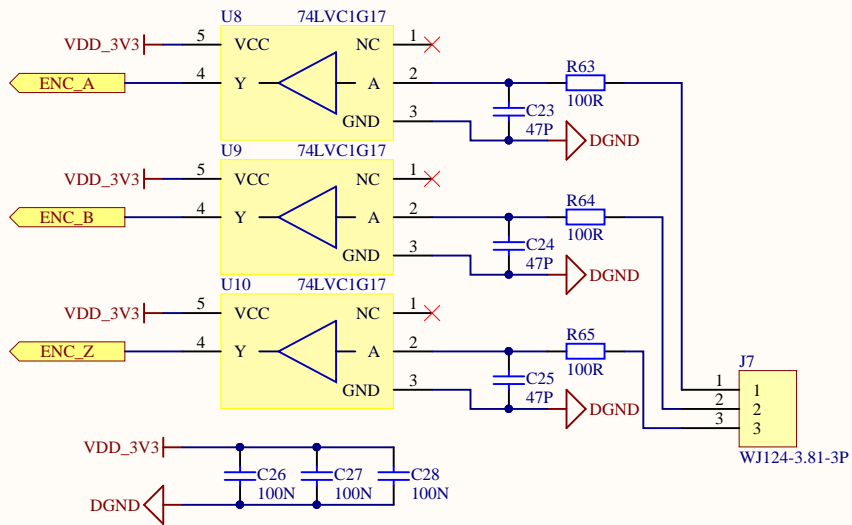
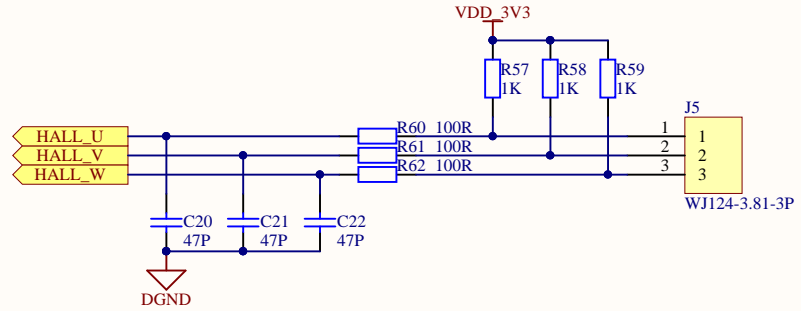
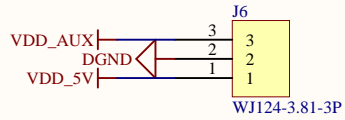
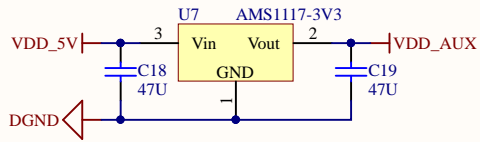
Main Device:
1. LDO=AMS1117-3.3
2. BUFF=SN74LVC1G17DBVR



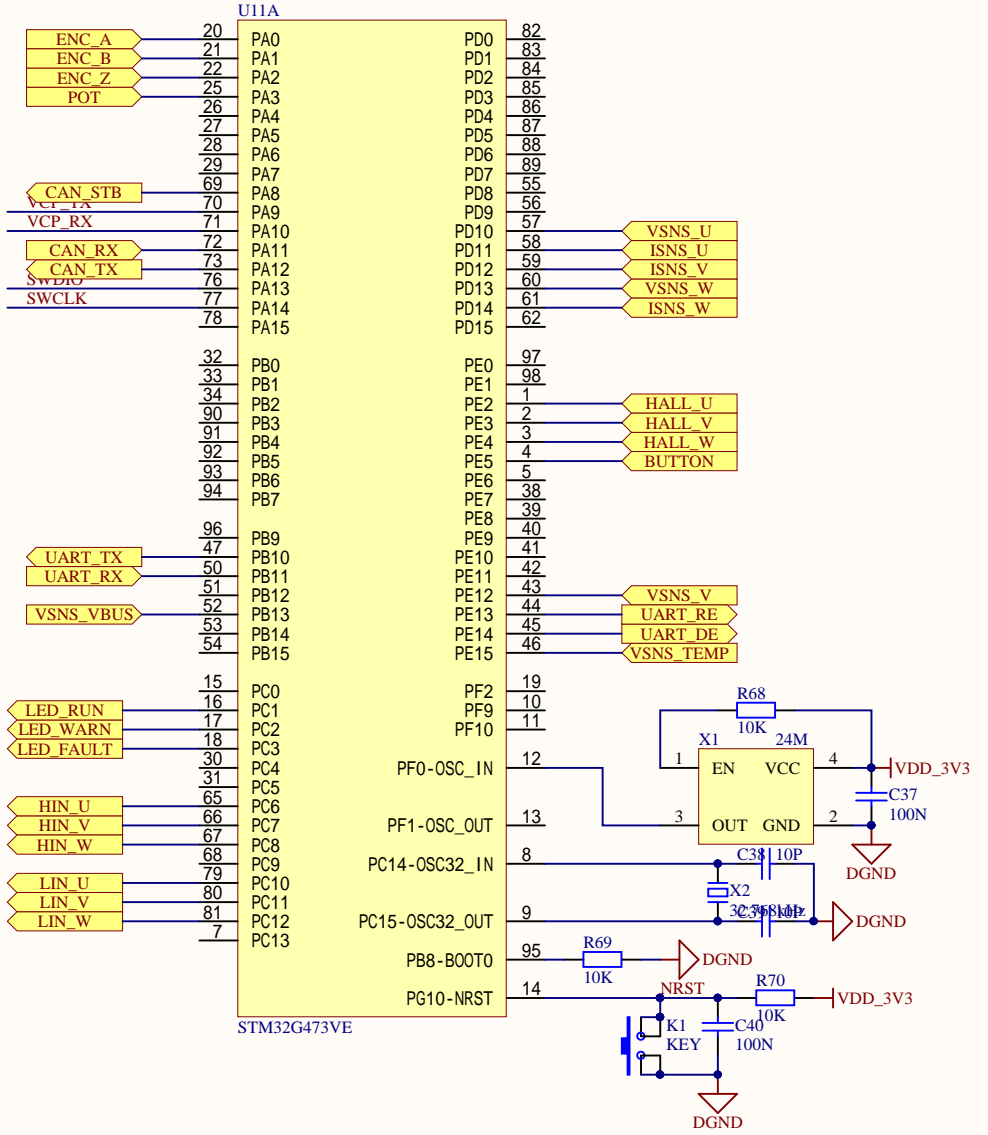
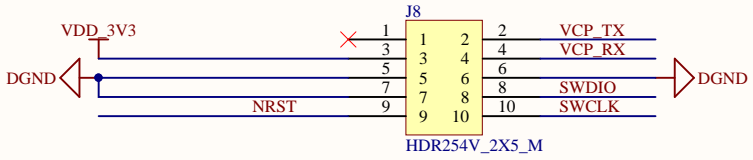
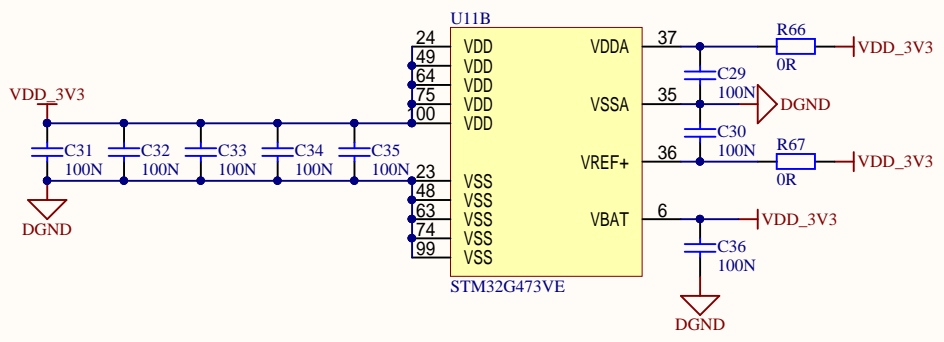
Title		
Size A4	Number	Revision
Date: 2025/3/26	Sheet of	
File: F:\MC_V1\ARCH.SchDoc	Drawn By:	



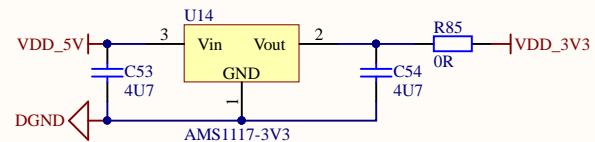
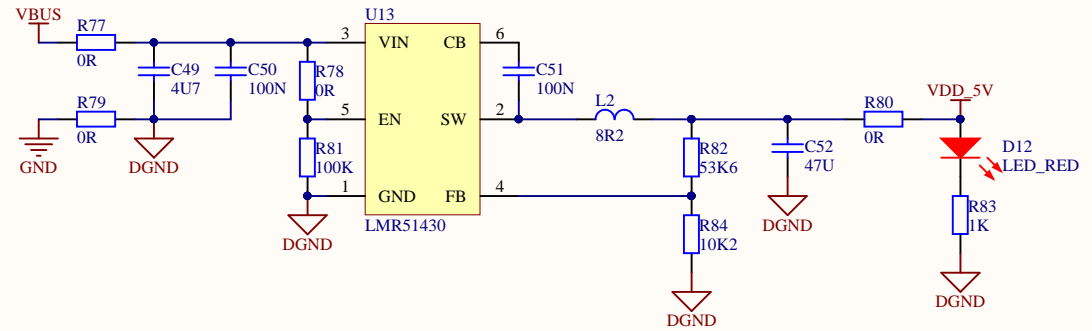
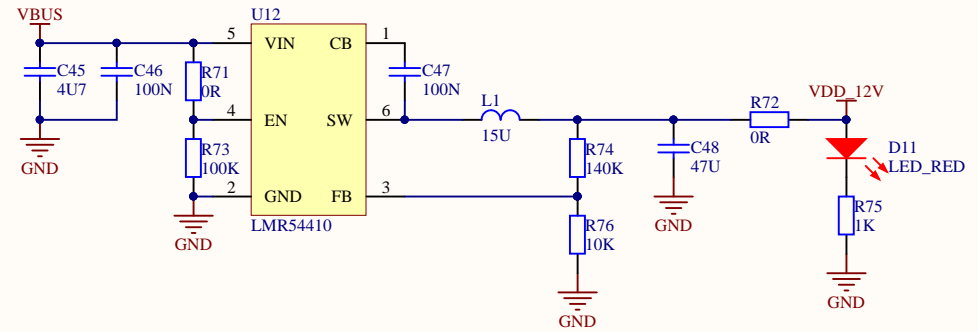
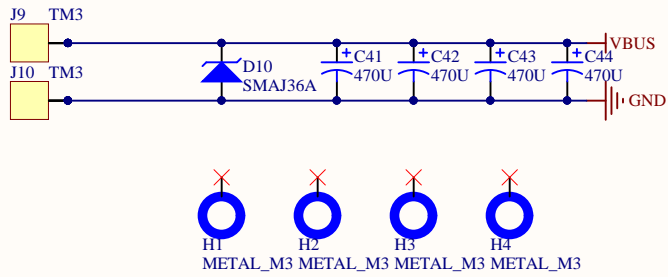
Title		
Size	Number	Revision
A4		
Date:	2025/3/26	Sheet of
File:	F:\MC_V1\DRV.SchDoc	Drawn By:



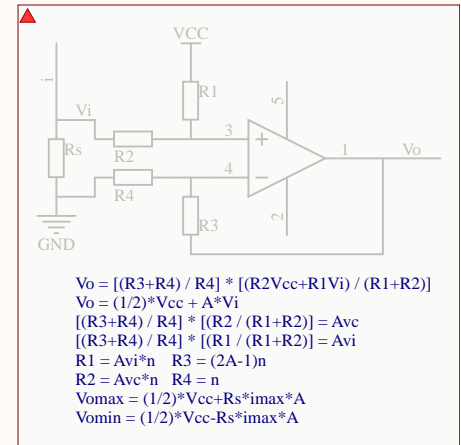
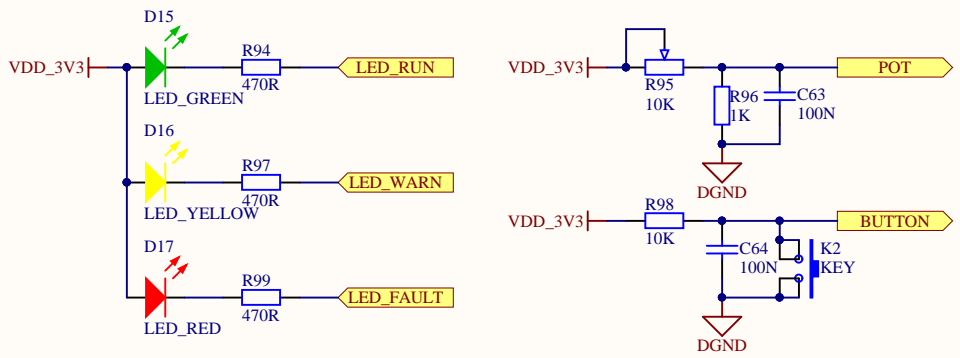
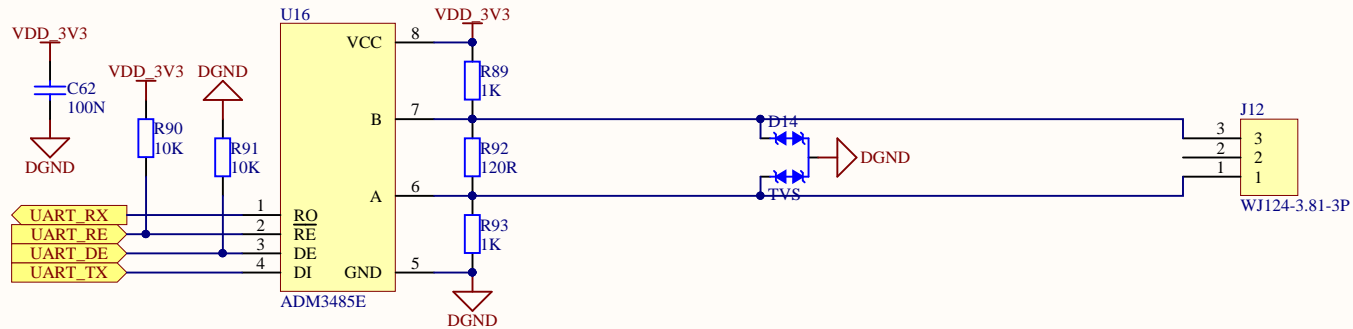
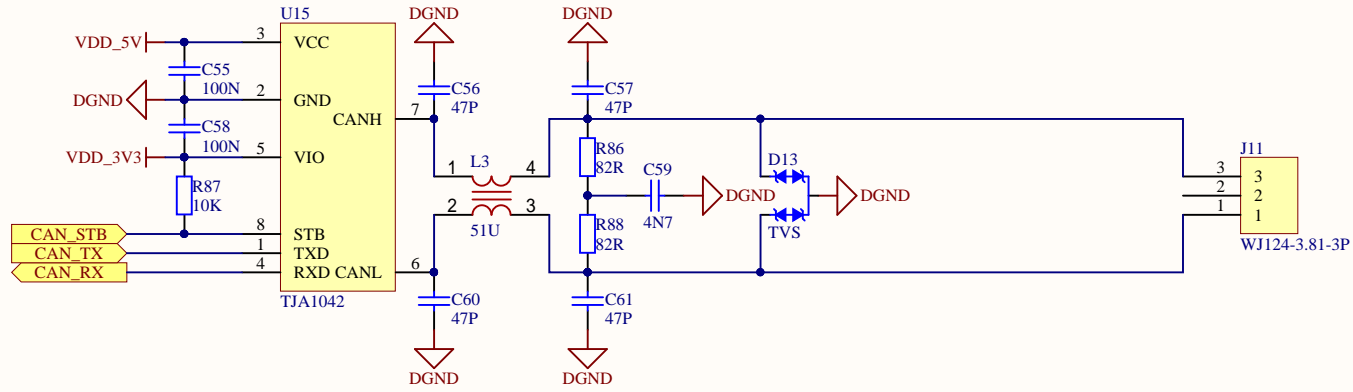
Title		
Size	Number	Revision
A4		
Date:	2025/3/26	Sheet of
File:	F:\MC_V\ENC.SchDoc	Drawn By:



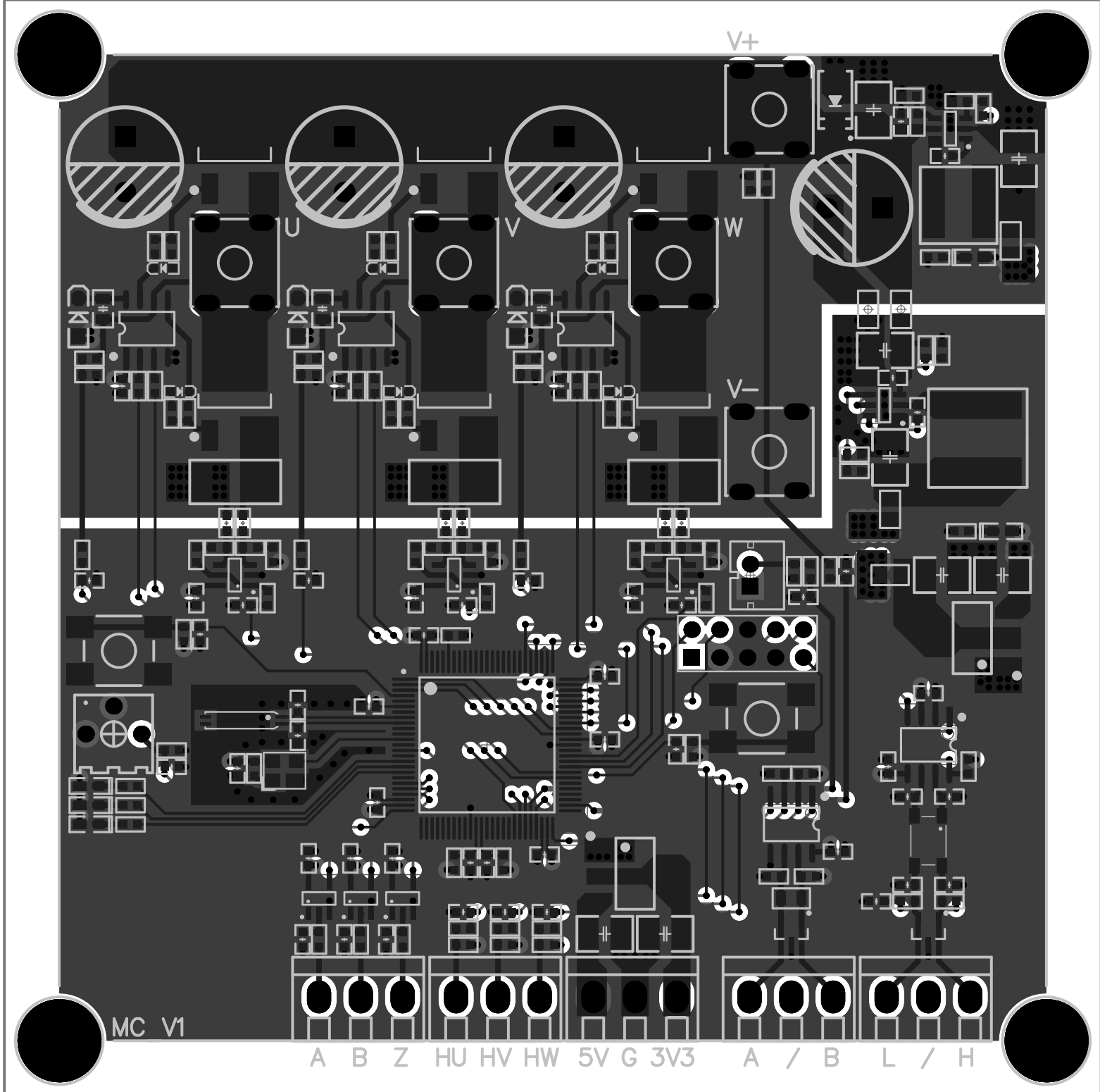
Title		
Size	Number	Revision
A4		
Date:	2025/3/26	Sheet of
File:	F:\MC_V1\MCU.SchDoc	Drawn By:



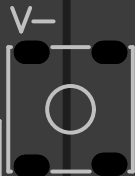
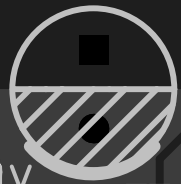
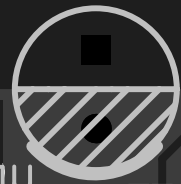
Title		
Size	Number	Revision
A4		
Date:	2025/3/26	Sheet of
File:	F:\MC_V1\PWR.SchDoc	Drawn By:



Title		
Size	Number	Revision
A4		
Date:	2025/3/26	Sheet of
File:	F:\MC_V1\USR.SchDoc	Drawn By:



V+



MC V1

A B Z HU HV HW 5V G 3V3 A / B L / H