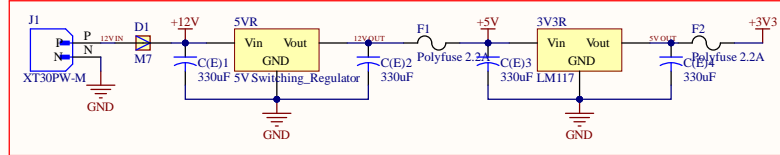
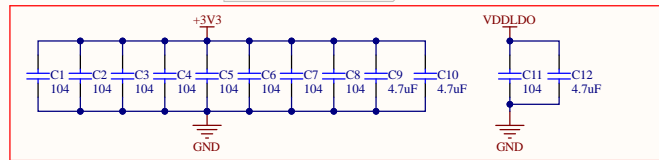


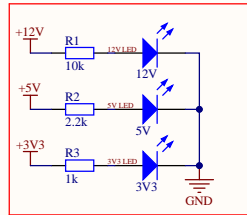
POWER SUPPLY



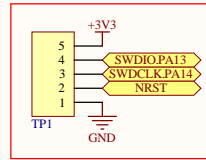
DECOUPLING CAPACITORS



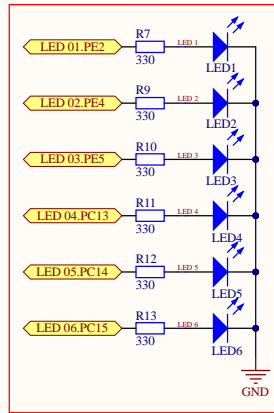
POWER INDICATOR



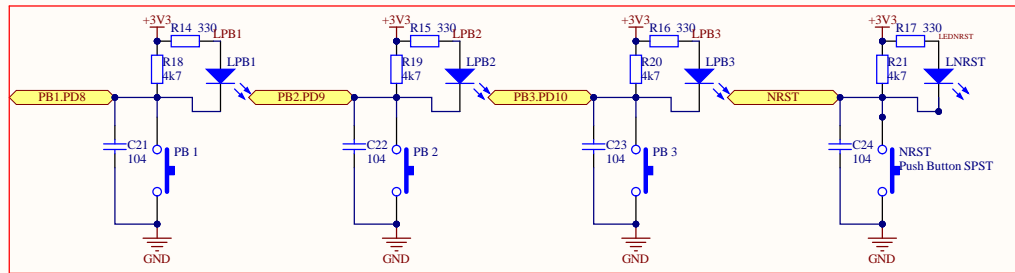
SW-LINK



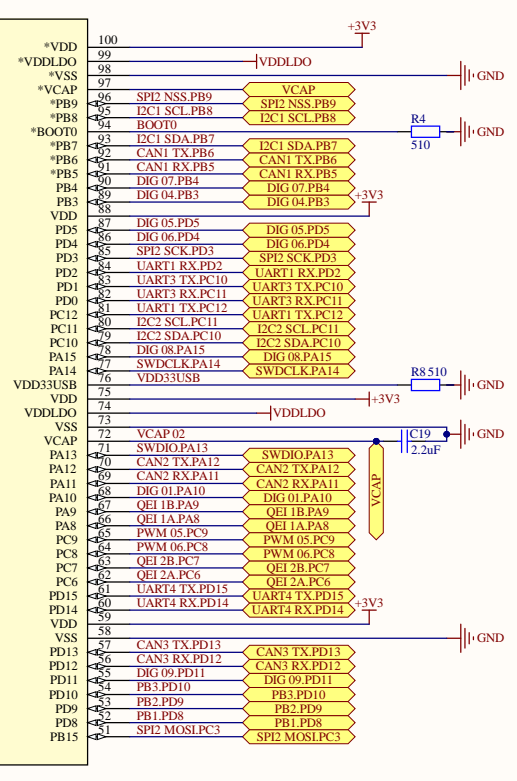
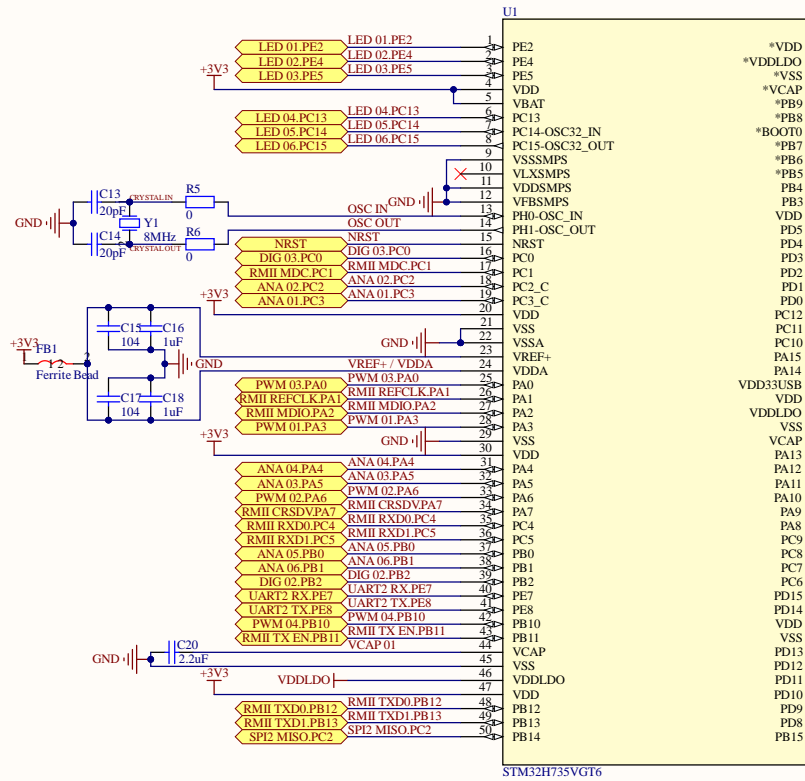
PROGRAMMABLE LED



PUSH BUTTONS

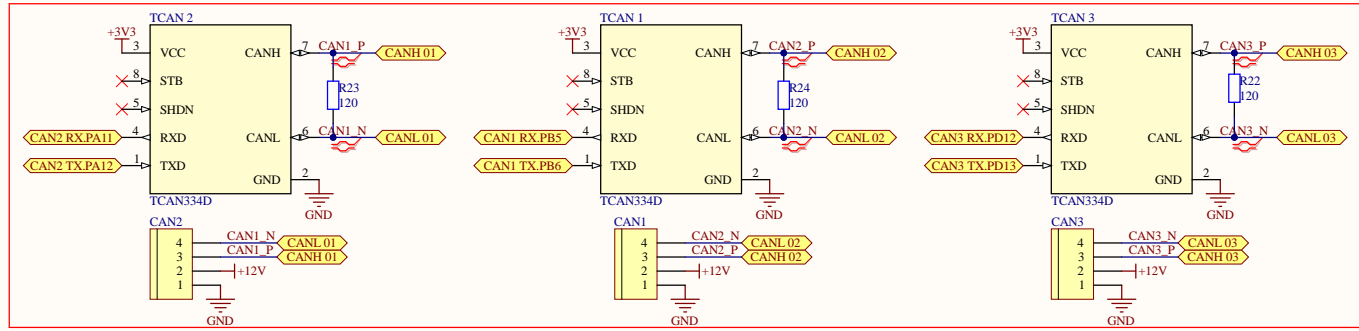


1 104 FOR 1 VDD

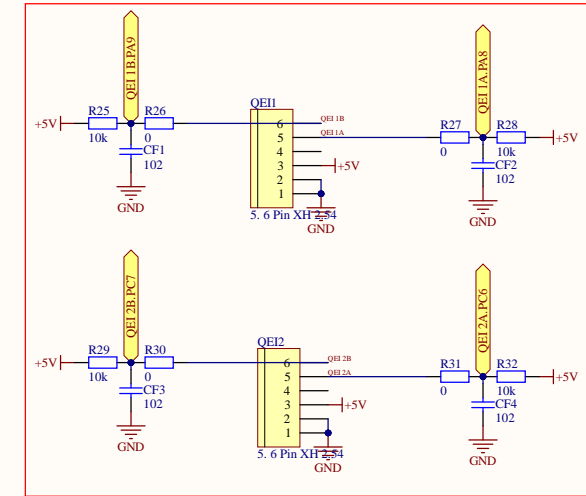


Title		
Size	Number	Revision
A3		
Date:	9/24/2025	Sheet of
File:	C:\ROBOCON\...STM32H735VGT6.Sch	Drawn By:

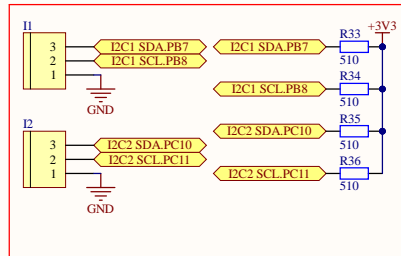
CAN



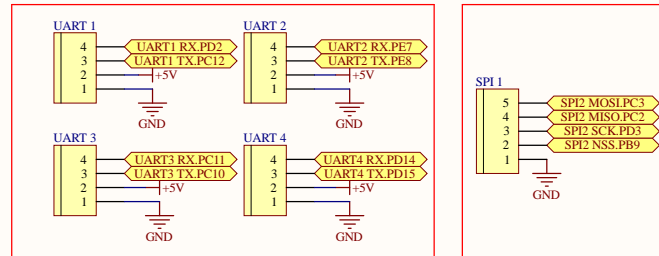
OEI PORTS



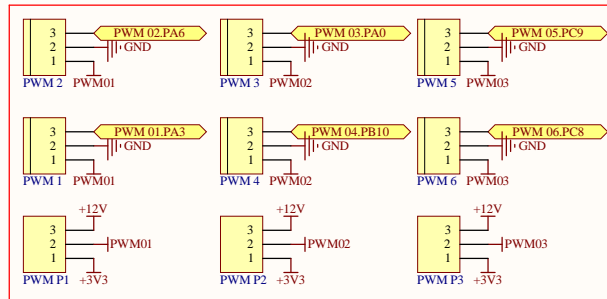
I2C



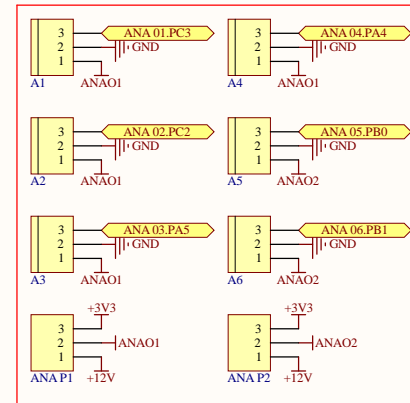
UART



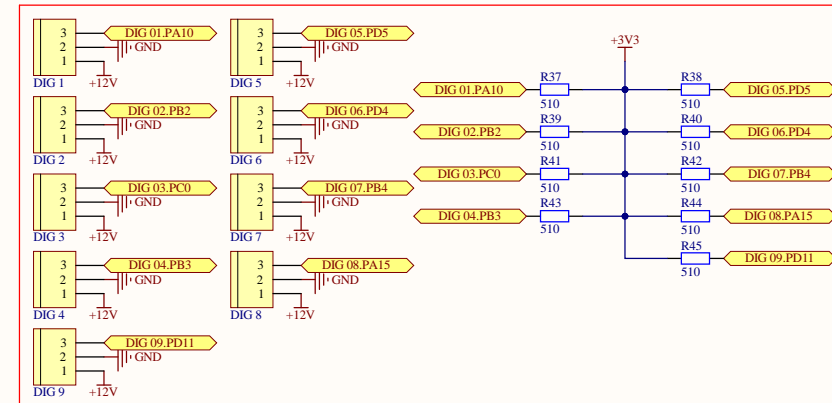
PWM PORTS



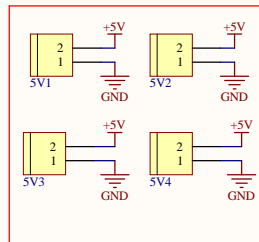
ANALOG PORTS



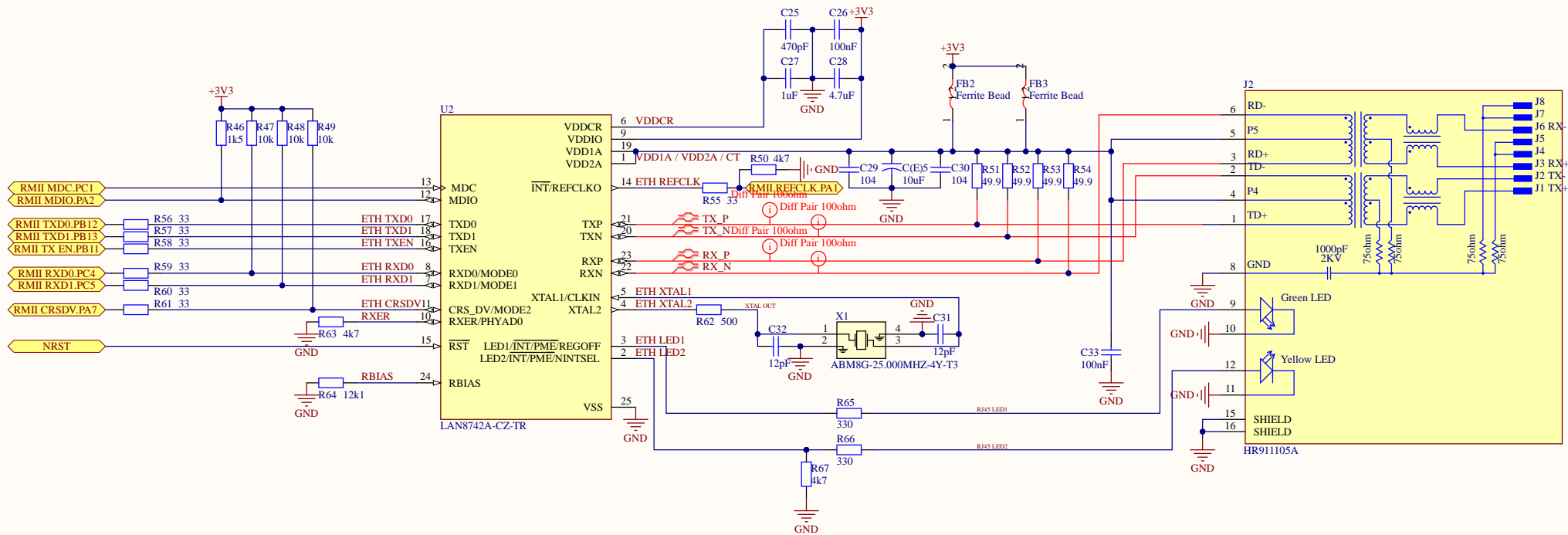
DIGITAL PORTS



5V PORTS



Title		
Size	Number	Revision
A3		
Date:	9/24/2025	Sheet of
File:	C:\ROBOCON\...COMMUNICATION.Sch	Drawn By:



Title		
Size	Number	Revision
Legal		
Date:	9/24/2025	Sheet of
File:	C:\ROBOCON\...\ETHERNET.SchDoc	Drawn By: