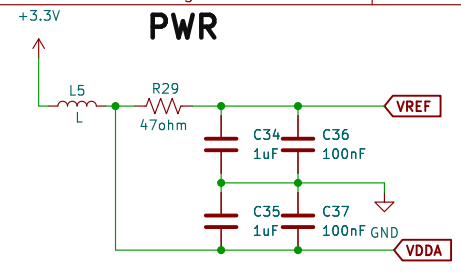
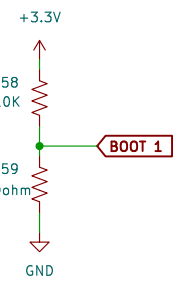
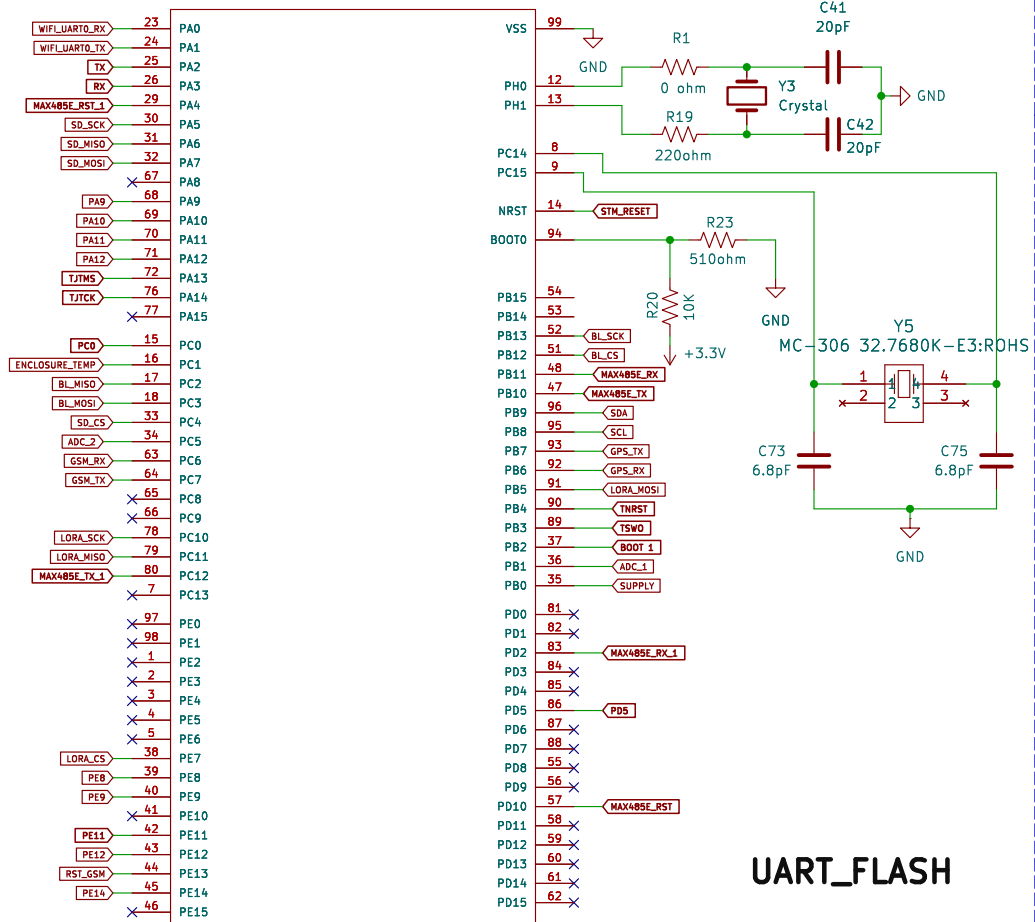
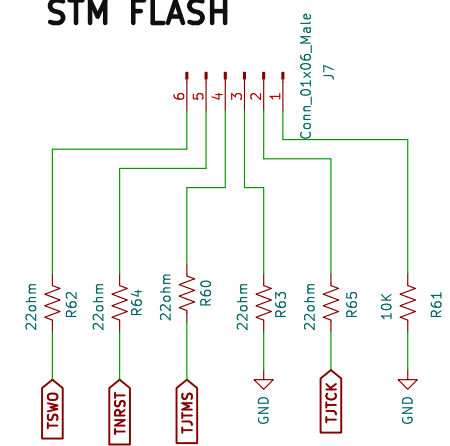


STM32

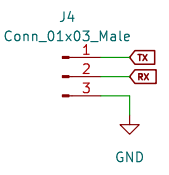
U1A
STM32F407VGT6



STM FLASH



UART_FLASH



ONESENSE.COM.AU	
Sheet: /STM/	
File: MCU.kicad_sch	
Title: PCB3_V1	
Size: A4	Date: 14-03-2025
KiCad E.D.A. 8.0.5	Rev: Id: 7/11